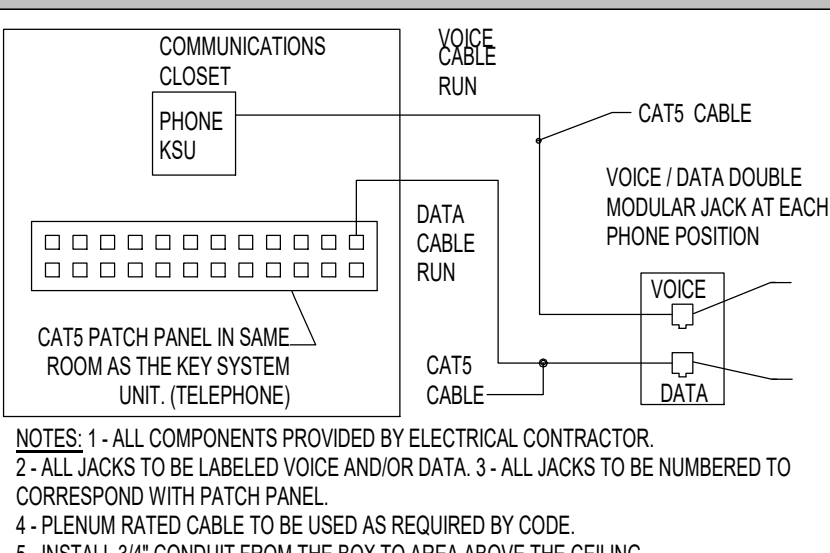


POWER SYMBOL LEGEND	
	DUPLEX OUTLET MOUNTED 18" A.F.F. UNLESS NOTED OTHERWISE. BOX INDICATES FLUSH IN FLOOR OR CEILING AS SPECIFIED.
	QUAD OUTLET MOUNTED 18" A.F.F. UNLESS NOTED OTHERWISE. BOX INDICATES FLUSH IN FLOOR OR CEILING AS SPECIFIED.
	DUPLEX/QUAD OUTLET MOUNTED HORIZONTALLY ABOVE COUNTERTOP OR BACKSPASH 44" A.F.F. UNLESS NOTED OTHERWISE.
	DUPLEX/QUAD OUTLET WITH GROUND FAULT INTERRUPTER MOUNTED HORIZONTALLY ABOVE COUNTERTOP OR BACKSPASH 44" A.F.F. UNLESS NOTED OTHERWISE.
	DUPLEX OUTLET WITH GROUND FAULT INTERRUPTER AND ISOLATED GROUND MOUNTED 18" A.F.F. UNLESS NOTED OTHERWISE.
	DUPLEX OUTLET WITH WEATHERPROOF COVER AND GROUND FAULT INTERRUPTER MOUNTED 18" A.F.F. UNLESS NOTED OTHERWISE.
	CONTROLLED DUPLEX OR QUAD OUTLET MOUNTED 18" A.F.F. UNLESS NOTED OTHERWISE.
	JUNCTION BOX, FLUSH MOUNTED IN CEILING UNLESS NOTED OTHERWISE. STEM
	TIME CLOCK
	LOS, PUSHBUTTON, DOORBELL BUZZER, OR SHUNT TRIP MOUNTED AT 42" A.F.F. UNLESS NOTED OTHERWISE.
	FUSED DISCONNECT SWITCH
	NON-FUSED DISCONNECT SWITCH
	ELECTRICAL PANEL BOARD
	TELEPHONE BOARD (TB)
	DATA OUTLET, INSTALL PULL WIRES
	COMMUNICATION (VOICE) OUTLET, INSTALL PULL WIRES
	DATA/VOICE OUTLET, INSTALL PULL WIRES
	CONDUIT, LINES INDICATES WIRE QUANTITY. LOW VOLTAGE WIRE
	HOMERUN, A = PANEL DESIGNATION / 2, 4, 6 = CIRCUITS
	CEILING SPEAKER
	SECURITY CAMERA CEILING
	S=SMOKE DETECTOR - ALARM / Shunt TRIP DUAL COMBO SMOKE AND CARBON MONOXIDE DETECTOR
	HDMI OUTLET FOR MONITOR

ABBREVIATIONS			
A	AMPERES	KVA	KILOVOLT-AMPERES
A/C	AIR CONDITIONING	KW	KILOWATT
AC	ALTERNATING CURRENT	LED	LIGHT EMITTING DIODE
AFF	ABOVE FINISHED FLOOR	LTG	LIGHTING
AFG	ABOVE FINISHED GRADE	KCMIL	THOUSANDS OF CIRCULAR MILS
AHU	AIR HANDLING UNIT	MCU	MASTER CONTROL UNIT
AWG	AMERICAN WIRE GAUGE	MCP	MOTOR CIRCUIT PROTECTION
C	CONDUIT	MH	METAL HALIDE
CPL	COMPACT FLUORESCENT LAMP	N	NEUTRAL
CH	COUNTER HEIGHT	NA	NOT APPLICABLE
CONC	CONCRETE	NF	NON-FUSED
COND	CONDUIT	NL	NIGHT LIGHT
CU	COPPER	NEC	NATIONAL ELECTRICAL CODE
DISC	DISCONNECT	NIC	NOT IN CONTRACT
ECB	ENCLOSED CIRCUIT BREAKER	NL	NIGHT LIGHT
ELEC	ELECTRICAL	NEMA	NATIONAL ELECTRICAL MANUFACTURERS ASSOC.
EM	EMERGENCY	NFPA	NATIONAL FIRE PROTECTION ASSOC.
EMS	ENERGY MANAGEMENT SYSTEM	O.C.	ON CENTER
EMT	ELECTRICAL METALLIC TUBING	P	POLE
EP	EXHAUST FAN	PML	PANELBOARD
EWC	ELECTRIC WATER COOLER	PVC	POLYVINYL CHLORIDE
ETR	EXISTING TO REMAIN	RM	ROOM
EX	EXISTING	RGS	RIGID GALVANIZED STEEL
FA	FIRE ALARM	SPEC	SPECIFICATION
FACP	FIRE ALARM CONTROL PANEL	SS	STAINLESS STEEL
FPL	FLORIDA POWER AND LIGHT	TBD	TO BE DETERMINED
G	GROUND	TVSS	TRANSIENT VOLTAGE SURGE SUPPRESSION
GFI	GROUND FAULT INTERRUPTER	TYP	TYPICAL
GND	GROUND	UON	UNLESS OTHERWISE NOTED
GRC	GALVANIZED RIGID CONDUIT	V	VOLTS
HVAC	HEATING, VENTILATING AND AIR CONDITIONING	W	WIRE
H.I.D.	HIGH INTENSITY DISCHARGE	W	WATT
I.G.	ISOLATED GROUND	WP	WEATHERPROOF
J	JUNCTION (THOUSAND) AMPERE INTERRUPTING CAPACITY		
KAIC	KILOVOLT-AMPERES INTERRUPTING CAPACITY		

- ELECTRICAL NOTES:**
- ALL LIGHTING AND RECEPTACLE CIRCUITS UP TO 7'4" IN LENGTH SHALL USE #12 WIRES MINIMUM, CIRCUITS FROM 7'5" UP TO 12' IN LENGTH SHALL USE #10 WIRES MINIMUM AND FROM 13'0" AND UP SHALL USE #8 WIRES MINIMUM UNLESS OTHERWISE SPECIFIED.
 - THESE DRAWINGS ARE DIAGRAMMATIC - REFER TO ARCHITECTURAL FOR EXACT HEIGHT, DIMENSIONS AND LOCATION.
 - OPERATING AND MAINTENANCE MANUALS WILL BE PROVIDED TO OWNER BY ELECTRICAL CONTRACTOR AS REQUIRED PER SECTION C405.6.4 IN FBC-ENERGY CONSERVATION 6TH EDITION (2017).
 - COORDINATE WITH OWNER FOR EXACT DATA/COMM REQUIREMENTS.
 - INSTALL NEW FIRE ALARM DEVICES IN ACCORDANCE WITH NFPA 72 AND FLORIDA FIRE PREVENTION CODE (6TH EDITIONS). IF PROJECT IS NOT CONNECTED TO A CENTRAL FIRE ALARM SYSTEM, PROVIDE LOCAL AUDIBLE VISUAL SIGNALS UPON INITIATING TROUBLE.
 - DIVISION 16 CONTRACTOR SHALL COORDINATE EXACT MECHANICAL REQUIREMENTS WITH DIVISION 15 DRAWINGS.
 - THIS PROJECT IS IN COMPLIANCE WITH FBC 2017 SECTION C405.6 AND NEC 210.10(A)(1) WITH REGARDS TO VOLTAGE DROP FOR DOWNSTREAM BRANCH CIRCUITS, AND NEC 215.2 FOR FEEDER CONDUCTORS.

VOICE / DATA WIRING SCHEMATIC



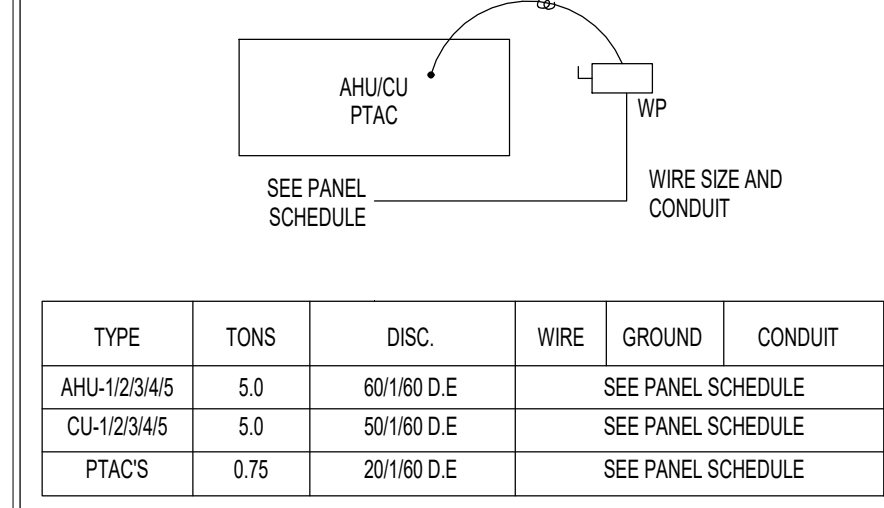
FEEDER & BRANCH CONDUCTOR SCHED

NEC TABLE 9, TABLE & EXAMPLES

DEVICE TYPE	CONDUCTOR	MULTIPLIER	DISTANCE	LOADING (A)	% VOLTAGE DROP
LIGHTS	12		75	10	2.18
RECEPT	12		75	8	1.75
EW-H-3	6	120	50	2.67	
AHU-1	6	90	60	2.40	
CU-1	6	100	50	2.22	
SERVICE	600	50	800	0.66	

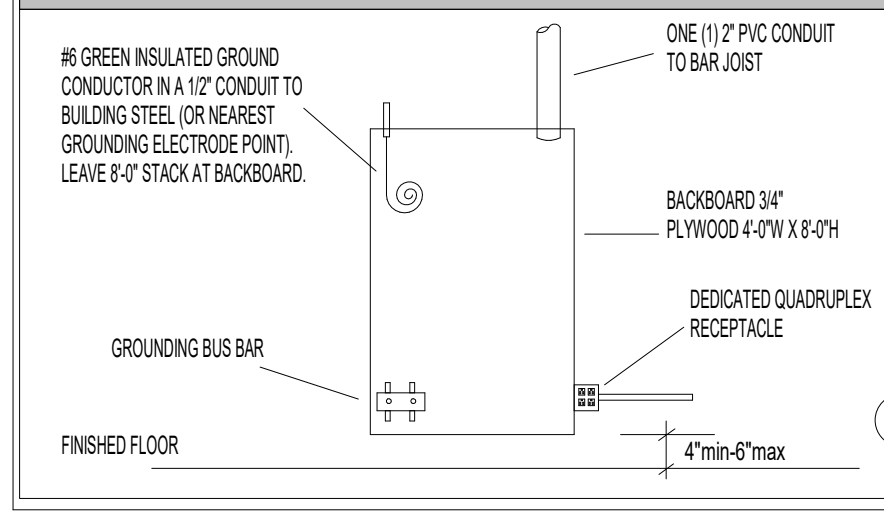
THIS PROJECT IS IN COMPLIANCE WITH FBC 2017 SECTION C405.6 AND NEC 210.19 WITH REGARDS TO VOLTAGE DROP FOR BOTH DISTRIBUTION PANELS AND DOWNSTREAM BRANCH CIRCUITS.

MECH. EQUIPMENT POWER RISER DETAIL



- NOTES:**
- VERIFY NAMEPLATE RATINGS, LOCATIONS, AND POINT OF POWER CONNECTIONS PRIOR TO ROUGH-IN.
 - DO NOT LOCATE DISCONNECT SWITCHES OVER UNIT ACCESS PANELS.
 - PROVIDE A 3/4" EMPTY CONDUIT THROUGH UNACCESSIBLE LOCATIONS (E. WALLS, UNDER SLAB) FOR CONTROL WIRING. COORDINATE WITH MECHANICAL PLANS.
 - EQUIP. REQUIREMENTS ARE FOR MANUFACTURER AND MODEL NUMBER LISTED ON MECHANICAL PLANS. MECH. CONTRACTOR SHALL BARE ANY ADDITIONAL COST.

IDF BACKBOARD DETAIL



ARC FLASH WARNING

WARNING

Arc Flash and Shock Hazard
Appropriate PPE Required NEC-110.16, 110.22

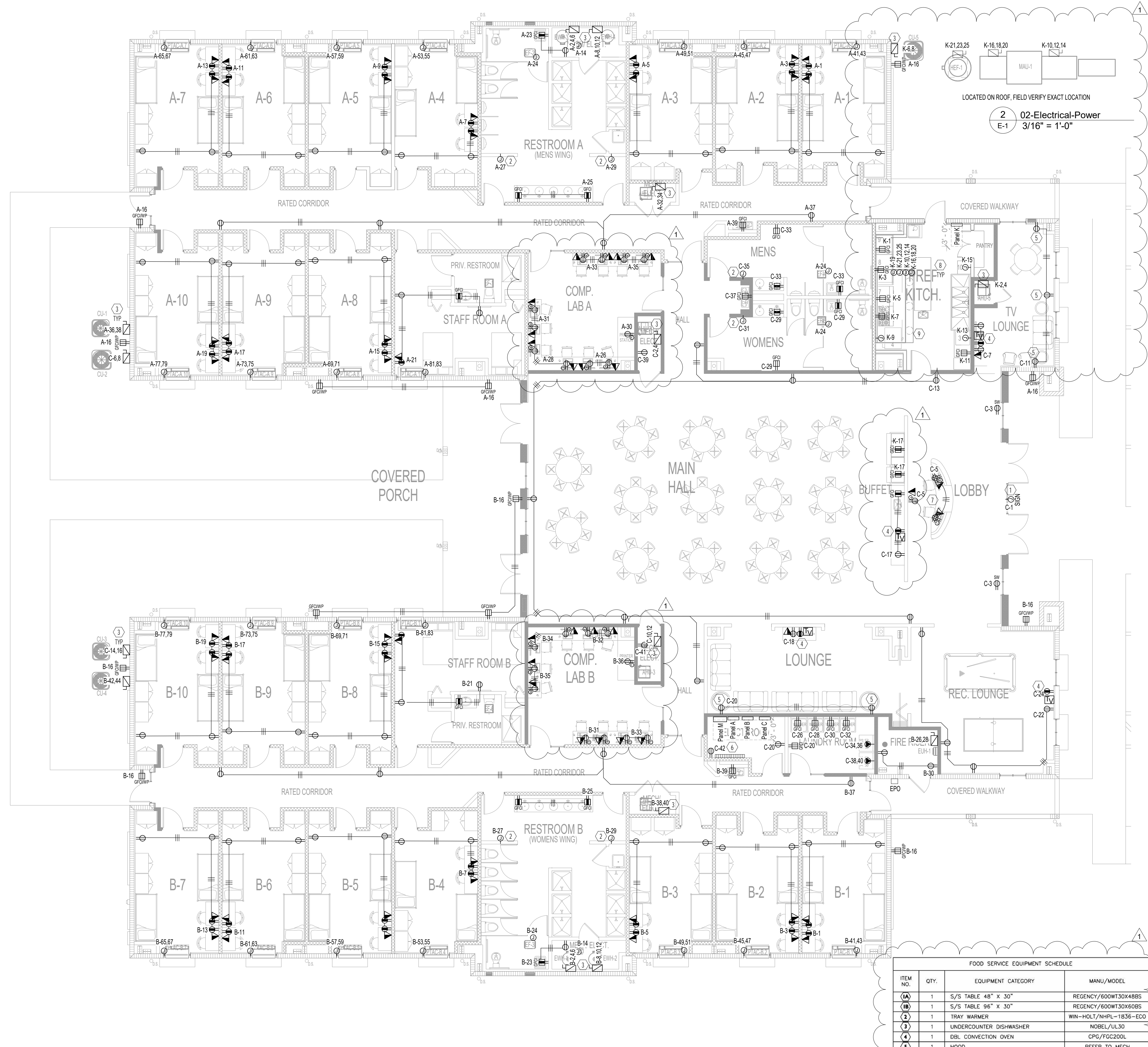
CAUTION- SERIES COMBINATION SYSTEM RATED.
XX.XXX AMPERES. IDENTIFIED REPLACEMENT COMPONENT REQUIRED

NOTES:

- PROVIDE/INSTALL SIGN ON ALL EQUIPMENT PER ANSI, NEC AND OSHA. ANSI Z39.4-1988, PRODUCT SAFETY SIGNS AND LABELS. PROVIDES GUIDELINES FOR THE DESIGN OF SAFETY SIGNS AND LABELS FOR APPLICATION TO PRODUCTS.
- REFER TO RISER DIAGRAM FOR SHORT CIRCUIT AMPERAGE INFORMATION.

Reference Notes

#	Number	Description
1	1	1 BOX FOR FUTURE SIGN MOUNTED ABOVE CEILING. PULL WIRES AS REQUIRED PER TENANT PANEL SCHEDULE INTO 1 BOX. COIL WIRES AND STOW IN 1 BOX AND COVER FOR FUTURE SIGNAGE CONNECTION. COORDINATE LOCATION AND MOUNTING HEIGHT OF BOX WITH ARCHITECTURAL ELEVATION DRAWINGS. CIRCUIT CONNECTED VIA TIME CLOCK CONTACTOR. CIRCUIT CALCULATE AS A CONTINUOUS LOAD.
2	2	PROVIDE 1 BOX FOR FUTURE HAND DRYER DESIRED BY OWNER. FIELD VERIFY EXACT LOCATION.
3	3	PROVIDE DISCONNECT FOR MECHANICAL EQUIPMENT. FIELD VERIFY EXACT LOCATION AND ELEVATION.
4	4	RECEPTACLE LOCATED AT 7'-0" A.F.F. FOR TV AND DATA CONNECTION. PROVIDE COAXIAL OUTLET WITH FLUSH MOUNTED 4-11/16" SQUARE SINGLE GAGE JUNCTION BOX. PROVIDE BLANK BUILDING STANDARD COVER PLATE. EXTEND 3/4" CONDENSED CONDUIT TO ABOVE ACCESSIBLE CEILING AND STUB-OUT WITH PLASTIC BUSHING. OR AS NOTED, INSTALL PULL WIRE OR HDMI CABLE FOR TV SIGNAL. SHALL BE COORDINATED BY CONTRACTOR.
5	5	PROVIDE DUPLEX AC OUTLET WITH USB CHARGING AND FACEPLATE.
6	6	SEE DF BACKBOARD DETAIL FOR CONNECTION AND INSTALLATION.
7	7	PROVIDE OCCUPANCY SENSOR TO AUTOMATIC SHUT-OFF 50% CONTROLLED RECEPTACLES AS NOTED. RECEPTACLES CONTROLLED SHALL BE LABELED. REFER TO LIGHTING RECEPTACLE CONTROL AND WIRING DETAIL. REFER TO ASHRAE 90.1-2013 (2015), NEC 408.151 (2014).
8	8	ALL RECEPTACLES IN KITCHEN AND FOOD PREPARATION AREA SHALL BE GFCI PER NEC 210.8(B)(2).
9	9	ELECTRICAL CONTRACTOR SHALL COORDINATE WITH HOOD MANUFACTURER ELECTRICAL REQUIREMENTS PRIOR TO INSTALLATION. REFER TO CAPTIVE AIR DRAWINGS FOR COMPLETE ELECTRICAL REQUIREMENTS.



FOOD SERVICE EQUIPMENT SCHEDULE

ITEM NO.	QTY.	EQUIPMENT CATEGORY	MANU./MODEL
(1A)	1	S/S TABLE 48" X 30"	REGENCY/600WT30X48BS
(1B)	1	S/S TABLE 96" X 30"	REGENCY/600WT30X60BS
(2)	1	TRAY WARMER	WIN-HOLT/NHPL-1836-ECO
(3)	1	UNDERCOUNTER DISHWASHER	NOBEL/UL30
(4)	1	DBL CONVECTION OVEN	CPG/FC220L
(5)	1	HOOD	REFER TO MECH
(6)	1	6 BURNER STOVE W/RANGE	ROYAL/RRC
(7)	1	GRIDDLE W/RANGE	ROYAL/RR-C36
(8)	1	54" W REFRIGERATOR	AVANTCO/A49RH
(9)	1	29" W FREEZER	AVANTCO/A23FH
(10)	1	ICE MACHINE	ICE-O-MATIC/U150
(11)	1	3 COMP. SINK W/ DRAINBOARDS	ADVANCE TABCO/FC22030-24RL
(12)	1	FREE STANDING HAND SINK	T.B.D.
(13)	1	IN-COUNTER HAND SINK	T.B.D.
(14)	1	WARMER TRAYS (4 PAN)	VOLLRATH/38004
(15)	1	COLD TRAYS (2 PAN)	VOLLRATH/38012
(16)	1	MOP SINK	FIAT/MSB-2424

REVISIONS

1 04/15/20 ADDENDUM #1

1325 S. Bumby Ave. Orlando, Florida 32806
PH: (407) 896 7411, FX: (407) 896 7412
EMAIL: egroup@at.net
CA#8126
MOHSEN FARAJI, P.E. 43599

PROJECT NUMBER:
MTF18144

DME SPORTS HOUSING COMPLEX

OWNER/DEVELOPER: MIKE PANIAGO DIRECT MAIL EXPRESS, 244 BELLEVUE AVENUE, DAYTONA BEACH, FL 32114 (386) 271-3924
PROJECT LOCATION: 2801 BELLEVUE AVENUE, DAYTONA BEACH, FL 32114
GENERAL CONTRACTOR: BRIAN COLLIER, 375 FENTRESS BOULEVARD, DAYTONA BEACH, FL 32114, PH: (386) 576-7177

BPF DESIGN INCORPORATED

ARCHITECTURE, DESIGN & DRAWING SERVICES

AA 2801108
BRIAN P. FREDLEY, ASSOC. AIA, PROJECT MANAGER
DALLAS B. PEACOCK, AIA, ARCHITECT
AR 0009706
207 FAIRVIEW AVENUE, DAYTONA BEACH, FL 32114
PH: (386) 257-6902 FX: (386) 257-1050
E-MAIL: bpfdesign@gmail.com WEBSITE: bpfdesign.net

ELECTRICAL PLAN - POWER

DATE: 05/28/19

SCALE: AS SHOWN

ARCHITECT'S / ENGINEER'S SEAL

SHT NO. E-1