

LIGHTING SYMBOL LEGEND

ALL SYMBOLS SHOWN ARE NOT NECESSARILY USED ON THE DRAWINGS

	2 x 4' LIGHT FIXTURE.
	2 x 4' LIGHT FIXTURE WITH INTEGRAL EMERGENCY TYPE BALLAST. "NL" INDICATES FIXTURES IS ON A NIGHT LIGHT CIRCUIT (NOT SWITCH)
	SQUARE COMPACT CEILING LIGHT FIXTURE.
	2 X 2 LIGHT FIXTURE WITH INTEGRAL EMERGENCY TYPE BALLAST. "NL" INDICATES FIXTURES IS ON A NIGHT LIGHT CIRCUIT (NOT SWITCH)
	ROUND COMPACT CEILING LIGHT/DOWN LIGHT.
	EMERGENCY OR NIGHTLIGHT (NL) COMPACT CEILING LIGHT/DOWN LIGHT.
	STRIP OR INDUSTRIAL LIGHT FIXTURE.
	WALL MOUNTED FULL-CUTOFF FIXTURE.
	WALL MOUNTED COMPACT LIGHT FIXTURE.
	TRACK LIGHT, LAMPS AND LEGHT AS SHOW ON PLANS.
	EXIT-EMERGENCY COMBO LIGHT. ARROWS INDICATE DIRECTION AND SHADE INDICATE FACE(S) OF FIXTURE.
	EXIT LIGHT. ARROWS INDICATE DIRECTION AND SHADE INDICATE FACE(S) OF FIXTURE.
	EMERGENCY BATTERY OPERATED WALL PACK WITH TWO AIMABLE HEADS
	RECESSED 1' X 4' FIXTURE.
	CEILING MOUNTED DUAL TECHNOLOGY OCCUPANCY SENSOR.
	CEILING MOUNTED DAYLIGHT PHOTOCELL SENSOR.
	CEILING MOUNTED OCCUPANCY/VACANCY SENSOR AND DAYLIGHT PHOTOCELL COMBO.
	SINGLE POLE SWITCH.
	OS= OCCUPANCY SENSOR
	3= THREE WAY
	D= DIMMING
	T= TIMER
	LV= LOW VOLTAGE
	4= FOUR WAY
	DIGITAL KEY PAD LIGHTING CONTROL.

ABREVIATIONS

A - AMPERES	LED - LIGHT EMITTING DIODE
AC - AIR CONDITIONING	LCM - LIGHTING
AC - ALTERNATING CURRENT	KCMIL - THOUSANDS OF CIRCULAR MILS
AFF - ABOVE FINISHED FLOOR	MCU - MASTER CONTROL UNIT
AFG - ABOVE FINISHED GRADE	MCP - MOTOR CIRCUIT PROTECTION
AHU - AIR HANDLING UNIT	MH - METAL HALIDE
AWG - AMERICAN WIRE GAUGE	N - NEUTRAL
C - CONDUIT	NA - NOT APPLICABLE
CL - COMPACT FLUORESCENT LAMP	NF - NON-FUSED
CH - COUNTER HEIGHT	NL - NIGHT LIGHT
CONC - CONCRETE	NEC - NATIONAL ELECTRICAL CODE
COND - CONDUIT	NIC - NOT IN CONTRACT
CU - COPPER	NL - NIGHT LIGHT
DISC - DISCONNECT	NEMA - NATIONAL ELECTRICAL MANUFACTURERS ASSOC.
ECB - ENCLOSED CIRCUIT BREAKER	NFPA - NATIONAL FIRE PROTECTION ASSOC.
ELEC - ELECTRICAL	O.C. - ON CENTER
EM - EMERGENCY	P - POLE
EMS - ENERGY MANAGEMENT SYSTEM	PNL - PANELBOARD
EMT - ELECTRICAL METALLIC TUBING	PVC - POLYVINYL CHLORIDE
EF - EXHAUST FAN	RM - ROOM
EWC - ELECTRIC WATER COOLER	RGS - RIGID GALVANIZED STEEL
ETR - EXISTING TO REMAIN	SPEC - SPECIFICATION
EX - EXISTING	SS - STAINLESS STEEL
FA - FIRE ALARM	TBD - TO BE DETERMINED
FACP - FIRE ALARM CONTROL PANEL	TVSS - TRANSIENT VOLTAGE SURGE SUPPRESSION
FPL - FLORIDA POWER AND LIGHT	UON - UNLESS OTHERWISE NOTED
G - GROUND	V - VOLTS
GFI - GROUND FAULT INTERRUPTER	W - WIRE
GND - GROUND	W - WATT
GRC - GALVANIZED RIGID CONDUIT	WP - WEATHERPROOF
HVAC - HEATING, VENTILATING AND AIR CONDITIONING	
H.I.D. - HIGH INTENSITY DISCHARGE	
I.G. - ISOLATED GROUND	
J - JUNCTION	
KAIC - (THOUSAND) AMPERE INTERRUPTING CAPACITY	
KVA - KILOVOLT-AMPERES	
KW - KILOWATT	

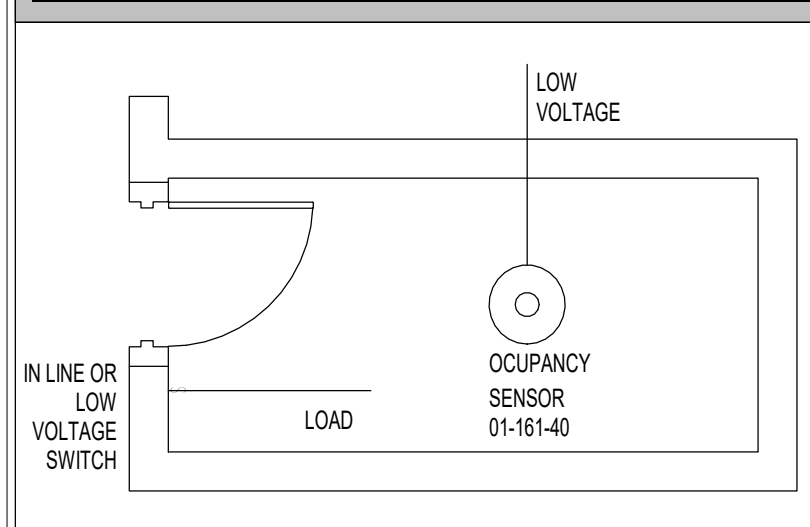
LIGHTING NOTES:

- ALL LIGHTING SHALL BE CONNECTED TO 120/208V 3Ø, 4W PANEL UNLESS NOTED OTHERWISE
- REFER TO ARCHITECT'S REFLECTED CEILING PLAN FOR EXACT LIGHTING FIXTURE HEIGHT AND LOCATION.
- ALL LIGHTING FIXTURES SHALL COMPLY WITH NEC 410.130(G).
- EACH SPACE ENCLOSED BY CEILING-HIGHT PARTITIONS SHALL HAVE AT LEAST ONE CONTROL DEVICE TO INDEPENDENTLY CONTROL THE GENERAL LIGHTING WITHIN THE SPACE PER CHAPTER 4 FROM FBC ENERGY CONSERVATION.
- ALL EMERGENCY AND EXIT LIGHTING SHALL BE CONNECTED AHEAD OF LOCAL SWITCHING.
- ALL LIGHTS SHALL BE LED AND ALL LIGHTS SWITCHES GUARANTEED TO WORK WITH LED FIXTURES.
- GENERAL CONTRACTOR SHALL COMPLETE THE FUNCTIONAL TESTING OF THE LIGHTING CONTROL SYSTEMS TO ENSURE THAT CONTROL HARDWARE AND SOFTWARE ARE CALIBRATE, ADJUSTED, PROGRAMMED AND IN PROPER WORKING CONDITION IN ACCORDANCE WITH THIS DOCUMENT AND MANUFACTURER'S INSTRUCTIONS PER FBC 6TH EDITION (2017) SECTION C408.3.1
- CONTRACTOR SHALL PROVIDE DOCUMENTATION CERTIFYING THAT THE INSTALLED LIGHTING CONTROLS MEET DOCUMENTED PERFORMANCE CRITERIA OF FBC 6TH EDITION (2017) SECTION C405 AND THE DOCUMENTATION TO BE PROVIDED TO THE BUILDING OWNER WITHIN 90 DAYS FROM THE DATE OF RECEIPT OF THE CERTIFICATE OF OCCUPANCY PER FBC 6TH EDITION (2017) SECTION C408.3.2.

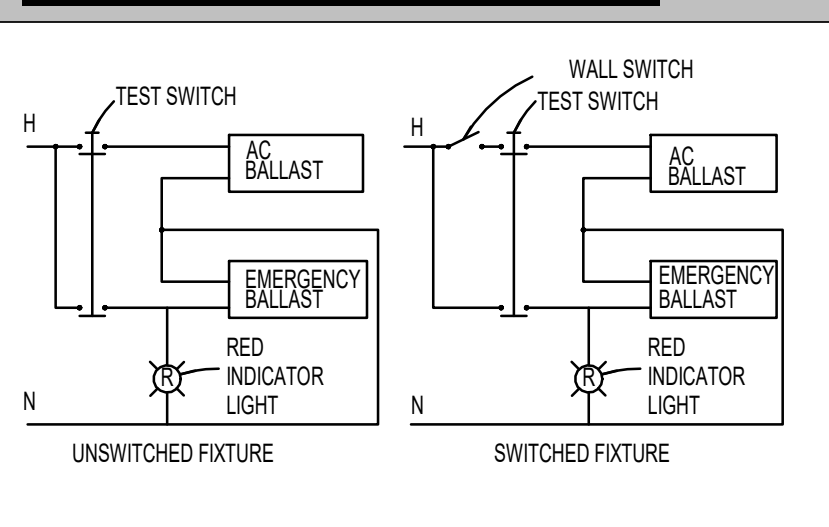
Reference Notes

#	Number	Description
	1	SEE LIGHTING CONTROL DETAILS FOR WIRING CONNECTION.

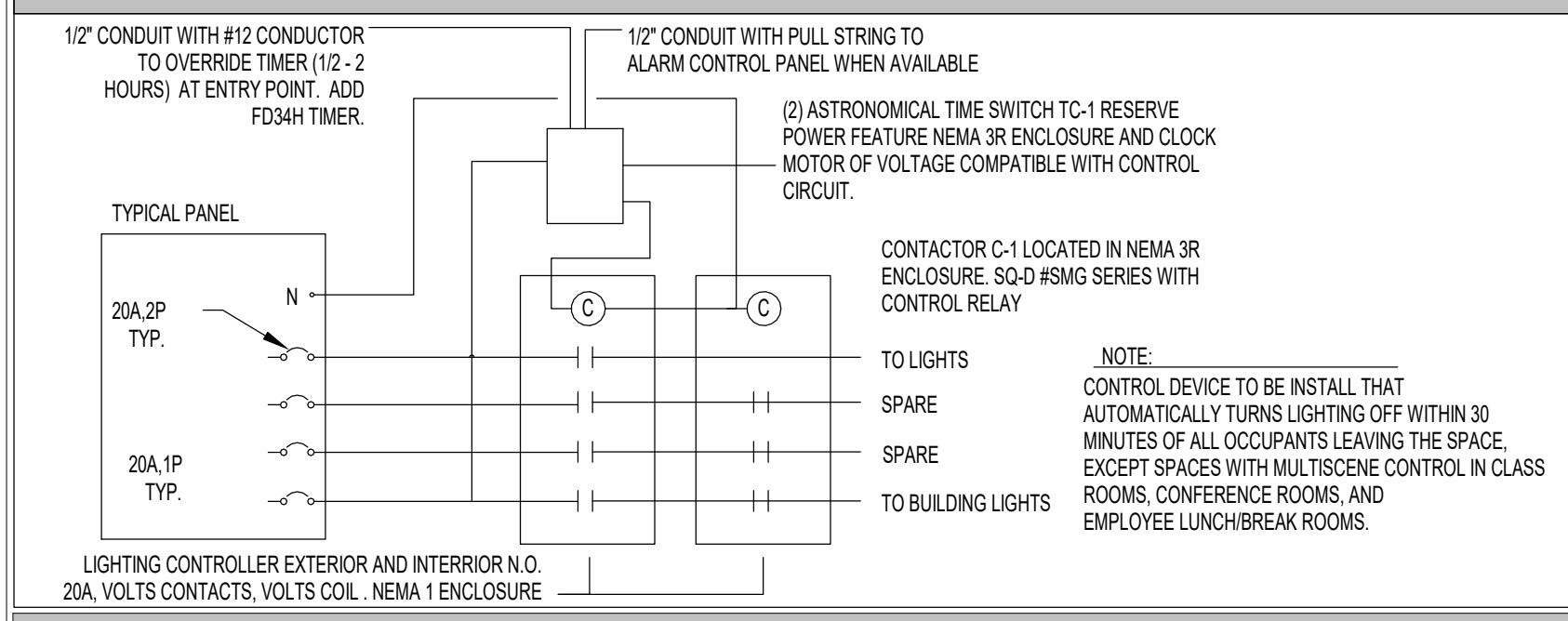
TYP ROOM WITH OCCUPANCY SENSOR



EMERGENCY BALLAST DETAILS

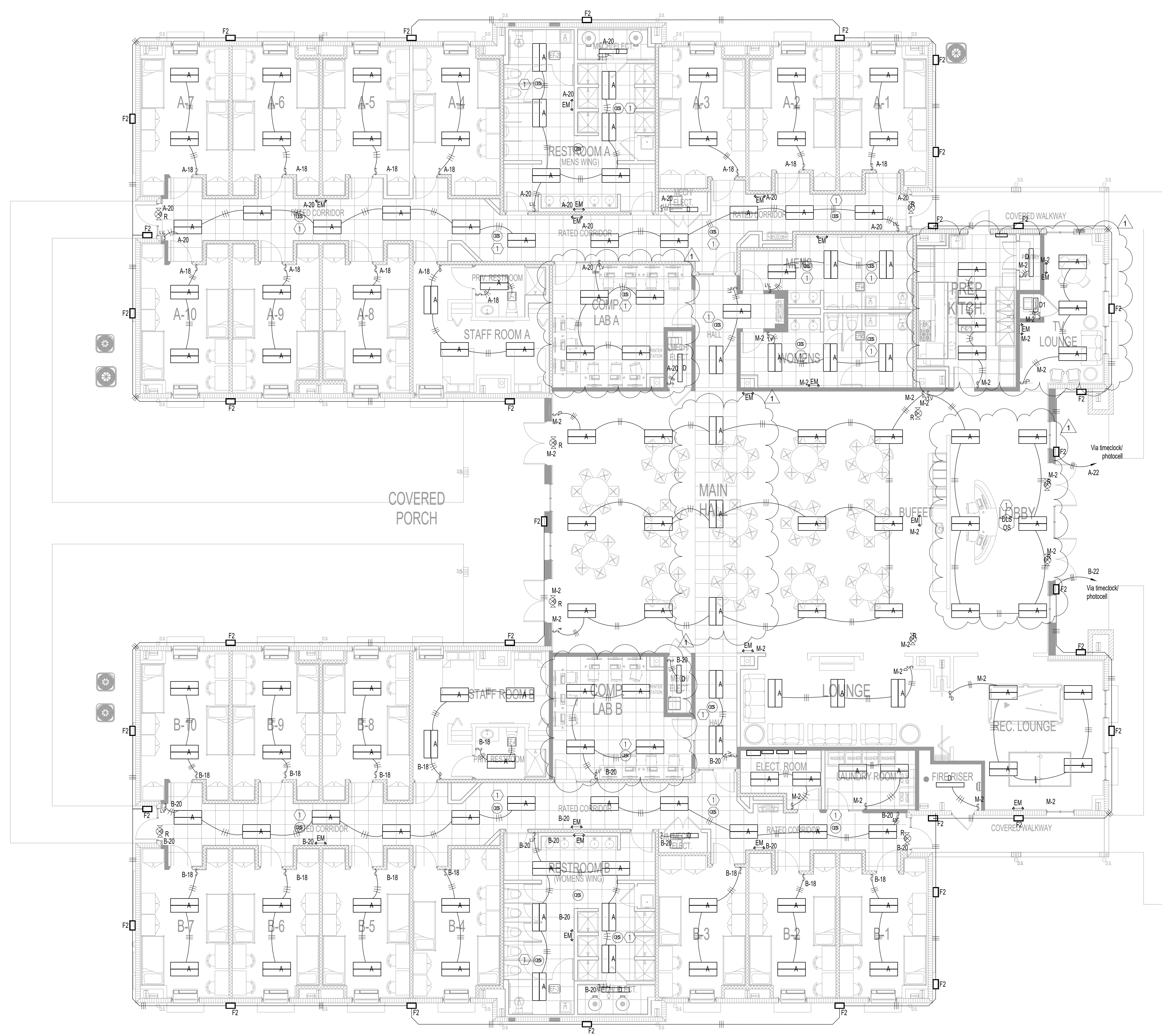


LIGHTING CONTROL DIAGRAM



Lighting Fixture Schedule

Type Mark	Description	Manufacture	Model	Lamp	Apparent Load
A	2X4' GENERAL LED PANEL, RECESSED/ SURFACE IN INSULATED CEILING OR SURFACE MOUNT	WESTERN FLORIDA LIGHTING	CFP SERIES	LED	40 VA
D	WRAP AROUND LOW PROFILE	WESTERN FLORIDA LIGHTING	ORW-LED SERIES	LED	38 VA
D1	WRAP AROUND LOW PROFILE	WESTERN FLORIDA LIGHTING	ORW-LED SERIES	LED	38 VA
EM	EMERGENCY LIGHTS W/ BATTERY BACK-UP	WESTERN FLORIDA LIGHTING	EV SERIES	LED	10 VA
F2	OUTSIDE WALL MOUNT, LED FIXTURE, TBD BY OTHERS	WESTERN FLORIDA LIGHTING	SPECIFIED BY OTHERS	LED	40 VA
R	SELF POWERED COMBINATION EXIT-EMERGENCY LIGHT	WESTERN FLORIDA LIGHTING	EVC SERIES	LED	10 VA



1
E-2 01-Electrical-Lighting
1/8" = 1'-0"

REVISIONS

1 04/15/20 ADDENDUM #1



1325 S. Bumby Ave. Orlando, Florida 32806
PH: (407) 896 7411, FX: (407) 896 7412
EMAIL: epgroup@at.net
CA#8126
MOHSEN FARAJI, P.E. 43599

PROJECT NUMBER:
MTF18144

DME SPORTS HOUSING COMPLEX

OWNER/DEVELOPER: OWNER/REP: MIKE PANAGGIO DIRECT MAIL EXPRESS, 244 BELLEVUE AVENUE, DAYTONA BEACH, FL 32114 (888) 271-3924
PROJECT LOCATION: 2501 BELLEVUE AVENUE, DAYTONA BEACH, FL 32114
GENERAL CONTRACTOR: BRYAN COLLIER, 375 FEINRESS BOULEVARD, DAYTONA BEACH, FL 32114, PH: (386) 676-7177

BPF DESIGN INCORPORATED

ARCHITECTURE, DESIGN & DRAWING SERVICES
AA 2801108
BRIAN P. FREDLEY, ASSOC. AIA, PROJECT MANAGER
DALLAS B. PEACOCK, AIA, ARCHITECT
AR 0009706
207 FAIRVIEW AVENUE, DAYTONA BEACH, FL 32114
PH: (386) 257-6902 FX: (386) 257-1050
E-MAIL: bpfdesign@bpf.com WEBSITE: bpfdesign.net

ELECTRICAL PLAN - LIGHTING

DATE: 05/29/19
SCALE: AS SHOWN

SHT NO. E-2

ARCHITECTS / ENGINEER'S SEAL