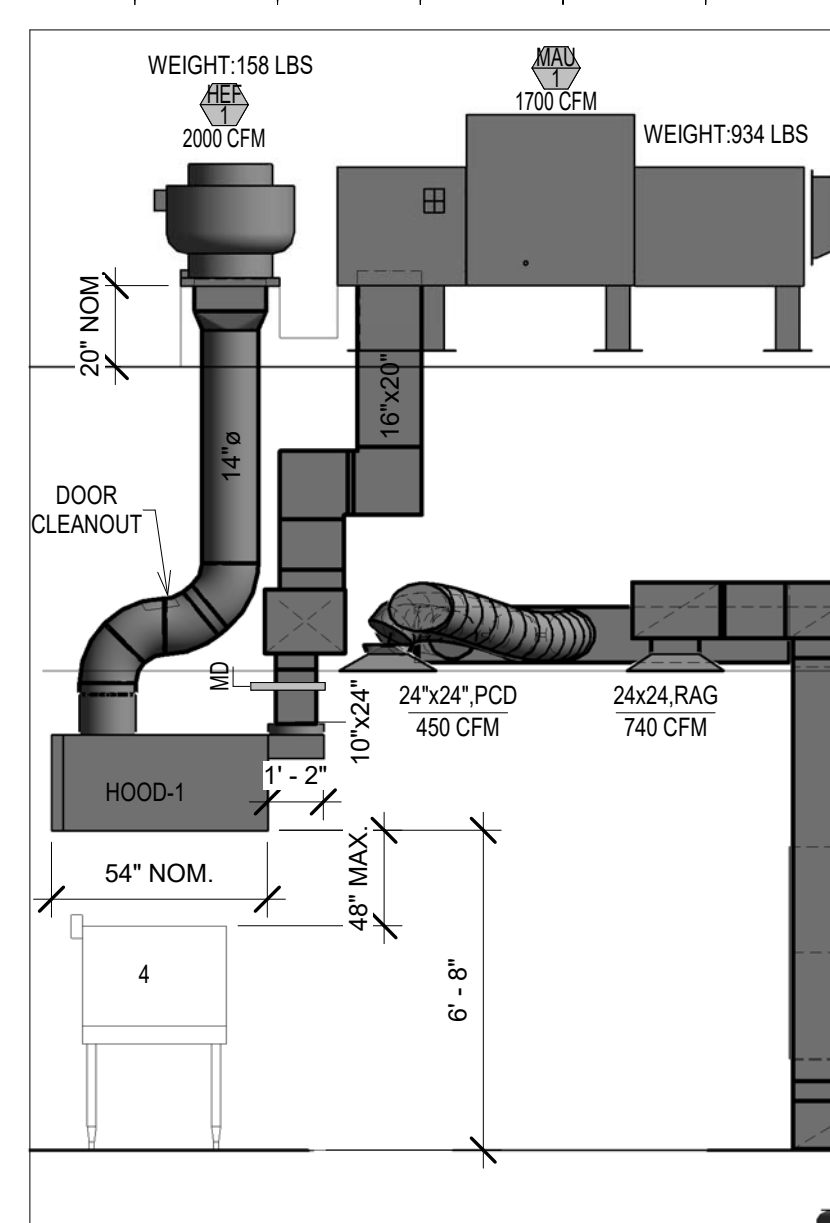
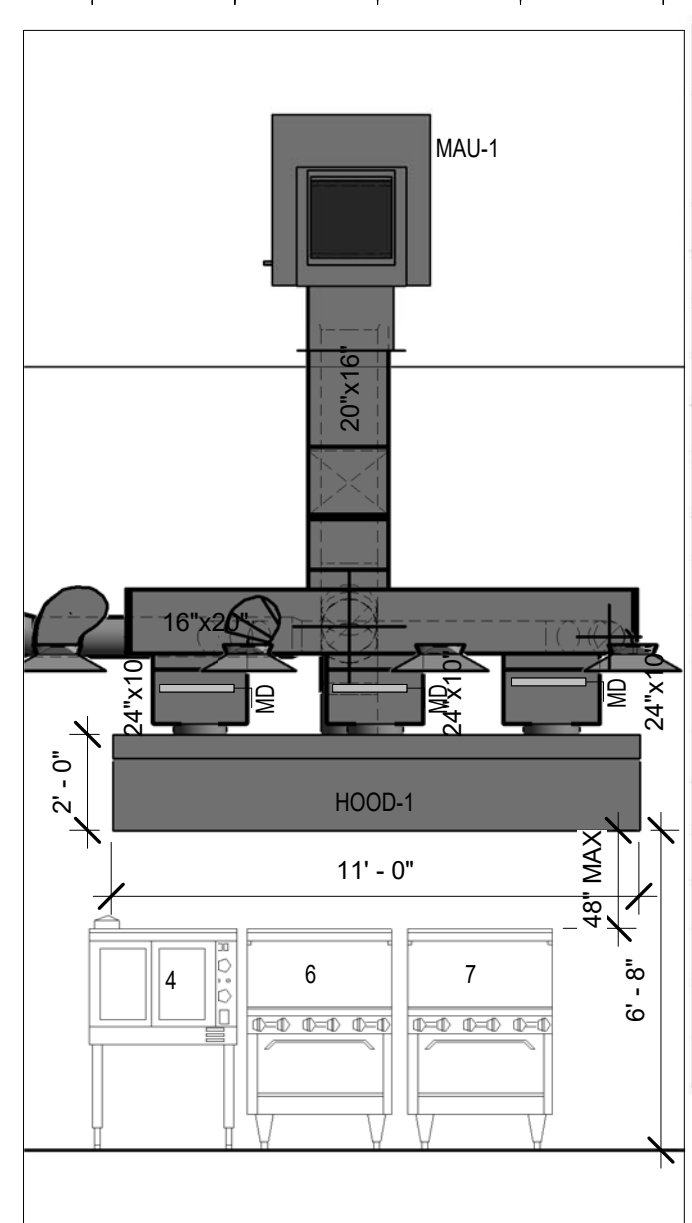


1 Enlarged Plan- Kitchen  
1/2" = 1'-0"



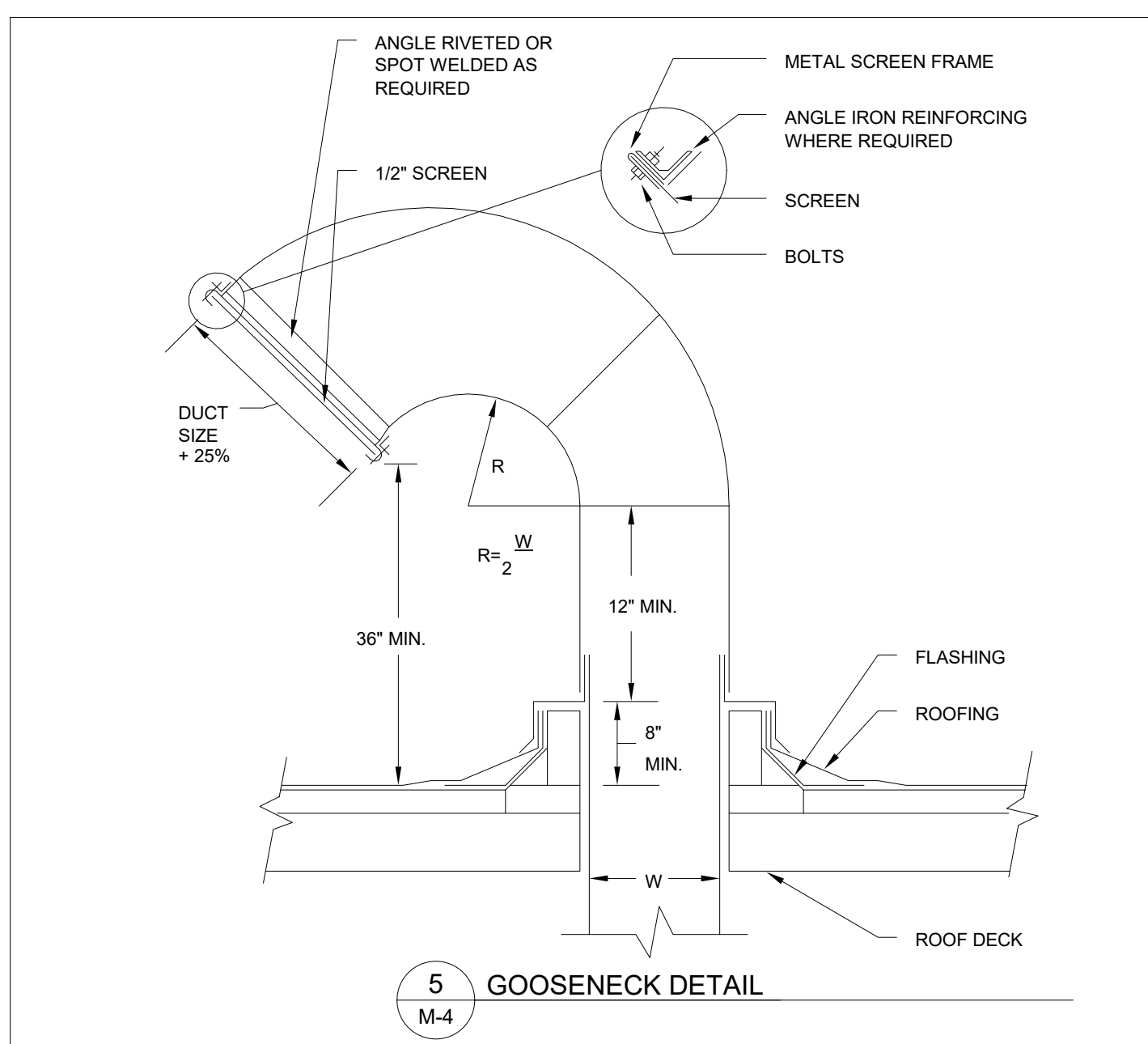
2 Side View- Hood-1  
1/4" = 1'-0"



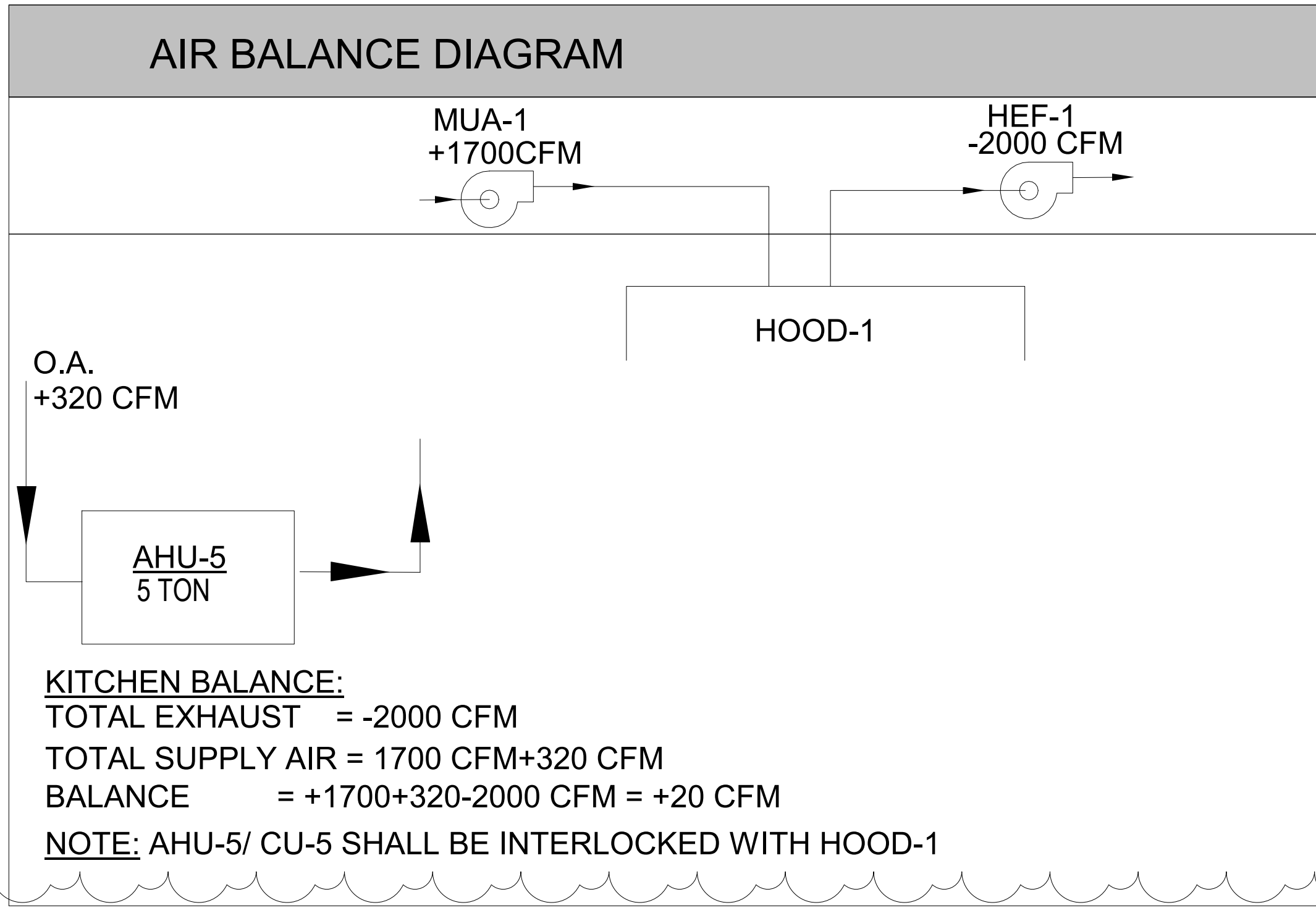
3 Front View- Hood-1  
1/4" = 1'-0"

FOOD SERVICE EQUIPMENT SCHEDULE			
ITEM NO.	QTY.	EQUIPMENT CATEGORY	MANU./MODEL
(1A)	1	S/S TABLE 48" X 30"	REGENCY/600WT30X48BS
(1B)	1	S/S TABLE 96" X 30"	REGENCY/600WT30X60BS
(2)	1	TRAY WARMER	WIN-HOLT/NHPL-1836-EGO
(3)	1	UNDERCOUNTER DISHWASHER	NOBEL/UL30
(4)	1	DBL CONVECTION OVEN	CPG/FGC200L
(5)	1	HOOD	REFER TO MECH
(6)	1	6 BURNER STOVE W/RANGE	ROYAL/RR6
(7)	1	GRIDDLE W/RANGE	ROYAL/RR-G36
(8)	1	54" W REFRIGERATOR	AVANTCO/A49RHC
(9)	1	29" W FREEZER	AVANTCO/A23FHC
(10)	1	ICE MACHINE	ICE-O-MATIC/U150
(11)	1	3 COMP. SINK W/ DRAINBOARDS	ADVANCE TABCO/FC2030-24RL
(12)	1	FREE STANDING HAND SINK	T.B.D.
(13)	1	IN-COUNTER HAND SINK	T.B.D.
(14)	1	WARMER TRAYS (4 PAN)	VOLLRATH/38004
(15)	1	COLD TRAYS (2 PAN)	VOLLRATH/38012
(16)	1	MOP SINK	FIAT/MSB-2424

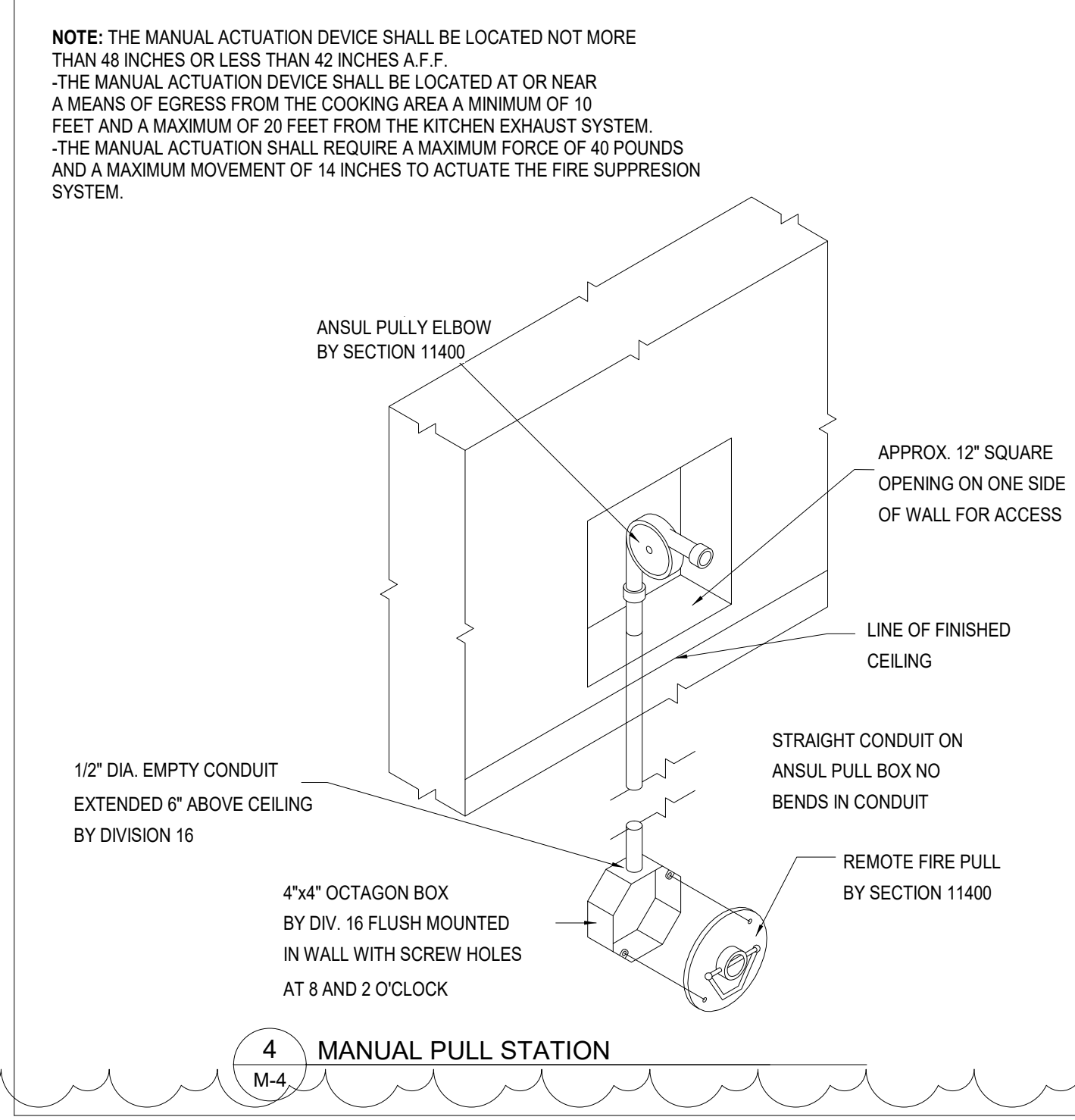
Reference Notes	
#	Description
1	DUCTWORK LOCATED ON KITCHEN SHALL BE GALVANIZED SHEET METAL.
2	DIFFUSERS ARE PERFORATED LOW VELOCITY LAMINAR FLOW.
3	ROUND DUCTWORK SHALL BE GALVANIZED SHEET METAL.
4	DUCTWORK SHALL BE FIBROUS GLASS DUCT.



5 GOOSENECK DETAIL  
1/4" = 1'-0"



- ### HOOD NOTES
- HOOD CONSTRUCTION MATERIAL SHALL BE BASED ON MANUFACTURE STANDARD AND SPECIFICATION. ALL EXTERNAL SEAMS AND JOINTS CONTINUOUSLY WELDED 100% LIQUID TIGHT. EXHAUST HOODS SHALL MEET OR EXCEED REQUIREMENTS OF NAPA 96. ALL LOCAL CODES AND SHALL BEAR THE NSF SEAL OF APPROVAL.
  - ALL LIGHTS USED IN THE HOOD SHALL BE U. L. LISTED FOR A CANOPY HOOD USE AND OF THE INCANDESCENT TYPE.
  - THE RANGE EXHAUST HOOD SHALL HAVE ALL STAINLESS STEEL BAFFLE FILTERS.
  - THE RANGE EXHAUST HOOD SHALL HAVE PRE-PIPED AUTOMATIC FIRE EXTINGUISHING SYSTEM FOR PROTECTION OF THE EXHAUST PLENUM, DUCT AND COOKING SURFACES, THE FIRE CONTROL CABINET SHALL HAVE A MICRO SWITCH FURNISHED AS REQUIRED FOR THE EQUIPMENT SHUT-OFF.
  - ALL EXHAUST COLLARS AND EXHAUST DUCTWORK SHALL BE SIZED TO MAINTAIN NO LESS THAN 500 FPM EXHAUST AIR VELOCITY. ALL GREASE EXHAUST DUCTWORK SHALL BE CONSTRUCTED AND INSTALLED IN ACCORDANCE TO SECTION 506.3.4 OF FBCM GREASE EXHAUST DUCTWORK SHALL HAVE ALL SEAMS, JOINTS AND PENETRATIONS CONTINUOUSLY WELDED LIQUID TIGHT.
  - THE DISCHARGE OF THE GREASE FAN SHALL BE UPBLAST AND A MINIMUM OF 10-0 FEET AWAY FROM ANY OUTSIDE AIR INTAKE.
  - THE FOLLOWING SHALL BE SUPPLIED OR INSTALLED BY THE CONTRACTOR (A.) EXHAUST FAN AND SUPPLY FAN. B.) ALL STAINLESS STEEL HOODS AS SPECIFIED BELOW WITH FIRE PROTECTION SYSTEM, CONTROLS, CABINET AND CLOSURE STRIP.
  - ALL HOODS SHALL BE MANUFACTURER BY CAPTIVE AIR OR EQUAL. THE DISCHARGE OF THE GREASE EXHAUST FAN SHALL BE 40 INCHES ABOVE THE ROOF.
  - SEE MANUFACTURER FOR EXHAUST DUCT SPECIFICATIONS.
  - SEE MANUFACTURER FOR HOOD CONSTRUCTION MATERIAL.
  - A TYPE I HOOD SHALL BE INSTALLED WITH A CLEARANCE TO COMBUSTIBLES OF NOT LESS THAN 18". CLEARANCES SHALL NOT BE REQUIRED FROM GYPSUM WALLBOARD ATTACHED TO NONCOMBUSTIBLE STRUCTURES PROVIDED THAT A SMOOTH, CLEANABLE, NONABSORBENT AND NONCOMBUSTIBLE MATERIAL IS INSTALLED BETWEEN THE HOOD AND THE GYPSUM BOARD OVER AN AREA EXTENDING NOT LESS THAN 18 INCH ALL DIRECTION FROM THE HOOD.
  - AN UPBLAST FAN SHALL BE HINGED AND SUPPLIED WITH A FLEXIBLE WEATHERPROOF ELECTRICAL CABLE TO PERMIT INSPECTION AND CLEANING. THE DUCTWORK SHALL EXTEND A MINIMUM OF 18" ABOVE THE ROOF SURFACE.
  - PROVIDE KITCHEN HOOD TEST AND BALANCE REPORT TO MECHANICAL INSPECTOR PRIOR TO FINAL MECHANICAL INSPECTION.
  - HOOD FILTERS SHALL MEET ALL CRITERIA AS PRESCRIBED IN SECTION 507-2.8 FBCM (6TH EDITION).



4 MANUAL PULL STATION  
1/4" = 1'-0"

REVISIONS  
1 04/15/20 ADDENDUM #1

1325 S. Bumby Ave. Orlando, Florida 32806  
 PH: (407) 896 7411 / FX: (407) 896 7412  
 EMAIL: epgroup@att.net  
 CA#8126  
**Farshad Antikchi, P.E.#72998**

PROJECT NUMBER:  
**MTF18144**

**DME SPORTS HOUSING COMPLEX**

OWNER/DEVELOPER: IMC-PANAGGIO DIRECT MAIL EXPRESS, 241 BELLEUE AVENUE, DAYTONA BEACH, FL 32114 (386) 271-3924  
 PROJECT LOCATION: 2501 BELLEUE AVENUE, DAYTONA BEACH, FL 32114  
 GENERAL CONTRACTOR: BRYAN COLLIER, 375 FENTRESS BOULEVARD, DAYTONA BEACH, FL 32114, PH: (386) 676-1177

**BPF DESIGN INCORPORATED**  
 ARCHITECTURE, DESIGN & DRAWING SERVICES  
 # AA 2801108  
 BRYAN P. FREDLEY, ASSOC. AIA, PROJECT MANAGER  
 DALLAS B. PEACOCK, AIA, ARCHITECT  
 # AR 0009706  
 207 FAIRVIEW AVENUE, DAYTONA BEACH, FL 32114  
 PH: (386) 257-6902 FX: (386) 257-1050  
 E-MAIL: bpfdesign@clm.com WEBSITE: bpfdesign.net

**ENLARGED PLAN- KITCHEN**  
 DATE: 05/29/19  
 SCALE: AS SHOWN  
**SHT NO. M-4**

ARCHITECT'S / ENGINEER'S SEAL