



1325 S. Bumby Ave. Orlando, Florida 32806
PH: (407) 896 7411 / FX: (407) 896 7412
EMAIL: epgroup@atl.net
CA#8126
Farshad Antikchi, P.E.#72998

PROJECT NUMBER:
MTF18144

DME SPORTS HOUSING COMPLEX

OWNER/DEVELOPER: IMC-PANAGGIO DIRECT MAIL EXPRESS 2441 BELLEVUE AVENUE, DAYTONA BEACH, FL 32114 (386) 271-3924
PROJECT LOCATION: 2501 BELLEVUE AVENUE, DAYTONA BEACH, FL 32114
GENERAL CONTRACTOR: BRYAN COLLIER, 375 FEINRESS BOULEVARD, DAYTONA BEACH, FL 32114, PH: (386) 676-1717

BPF DESIGN INCORPORATED

ARCHITECTURE, DESIGN & DRAWING SERVICES
AA 28001108
BRIAN P. FREDLEY, ASSOC. AIA, PROJECT MANAGER
DALLAS B. PEACOCK, AIA, ARCHITECT
AR 0009705
207 FAIRVIEW AVENUE, DAYTONA BEACH, FL 32114
PH: (386) 257-0902 FX: (386) 257-1050
E-MAIL: bpfdesign@atl.net WEBSITE: bpfdesign.net

HOOD DETAILS

DATE: 05/28/19
SCALE: AS SHOWN
SHT NO. M-6
ARCHITECTS / ENGINEERS SEAL

CAPTIVE

Orlando Mechanical
19000 Independence Blvd., Coveland, FL 32726 PHONE: (407) 842-2803 FAX: (919) 747-5911 EMAIL: mep@captivestore.com

DME Sports Academy
2441 Bellevue Ave.
DAYTONA BEACH, FL, 32114

HOOD INFORMATION - Job#4257513												
HOOD NO.	TAG	MODEL	LENGTH	MAX COOKING TEMP.	TYPE	APPLIANCE DUTY	DESIGN CFMR	TOTAL EXH. CFM	EXHAUST PLENUM RISER(S)	TOTAL SUPPLY CFM	HOOD CONSTRUCTION	HOOD CONFIG.
1	HOOD-1	ND-2-PSP-F	9' 11"	500 Deg	I	Heavy	202	2000	WIDTH 4" LENG 14" HEIGHT 2000	1871	-0.822"	1700
										430 SS Where Exposed	ALONE	ALONE

HOOD INFORMATION										PATENT NUMBERS			
HOOD NO.	TAG	TYPE	QTY	HEIGHT	LENGTH	EFFICIENCY @ 7 MICRONS	QTY	TYPE	WIRE GUARD	LOCATION	SIZE	FIRE SYSTEM	HOOD HANGING WGT
1		Captrate Solo Filter	7	20"	16"	85% See Filter Spec.	5	L55 Series E26	NO	Right	12"x54"x24"	Ansul R102	3.0

HOOD OPTIONS		OPTION
HOOD NO.	TAG	
1		FIELD WRAPPER 18.00" High Front Left, Right BACKSPLASH 122.00" High X 138.00" Long 430 SS Vertical LEFT SIDESPLASH 122.00" High X 56.00" Long 430 SS Vertical LEFT END STANDOFF (FINISHED) 1" Wide 54" Long Insulated RIGHT VERTICAL END PANEL 27" Top Width, 21" Bottom Width, 80" High Insulated 430 SS LEFT WALL AS END PANEL

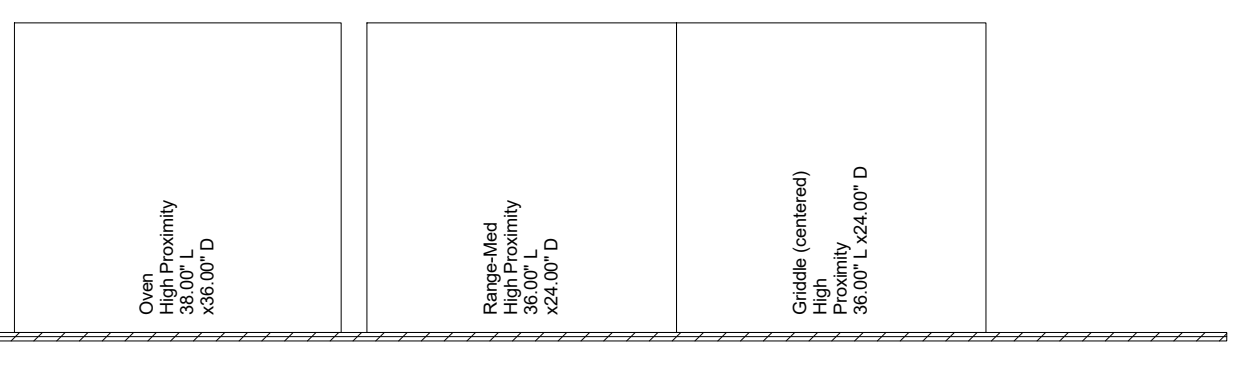
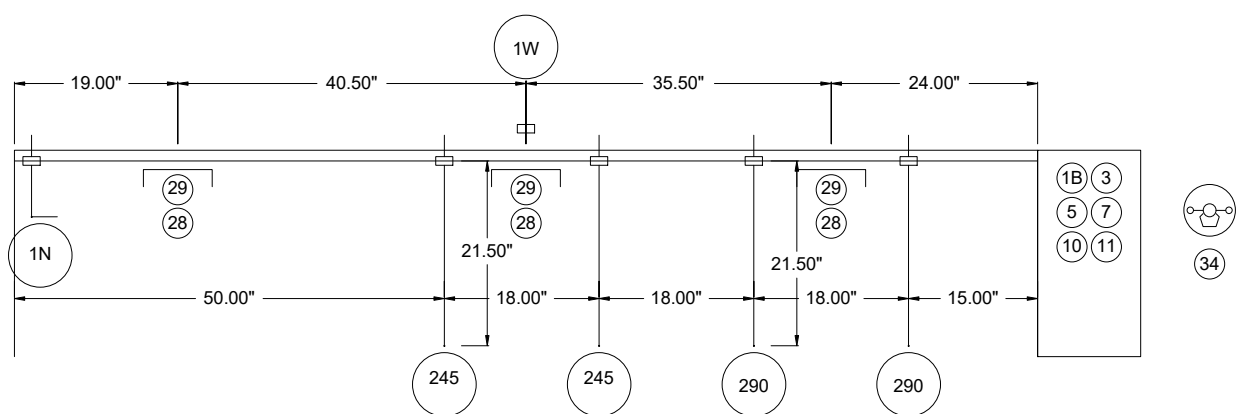
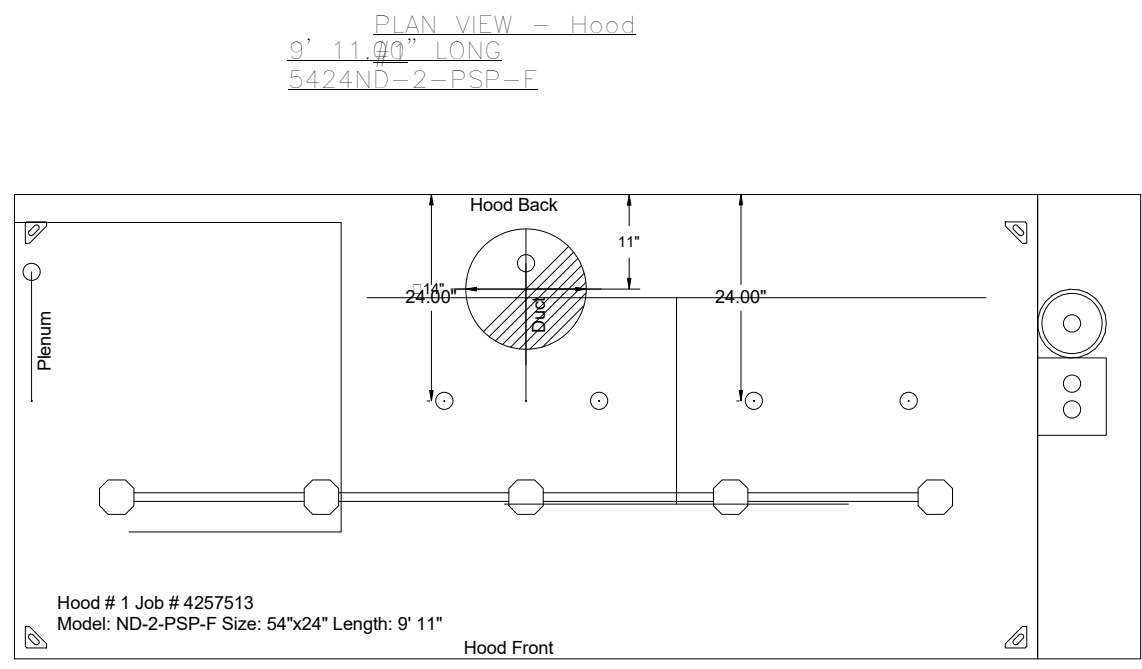
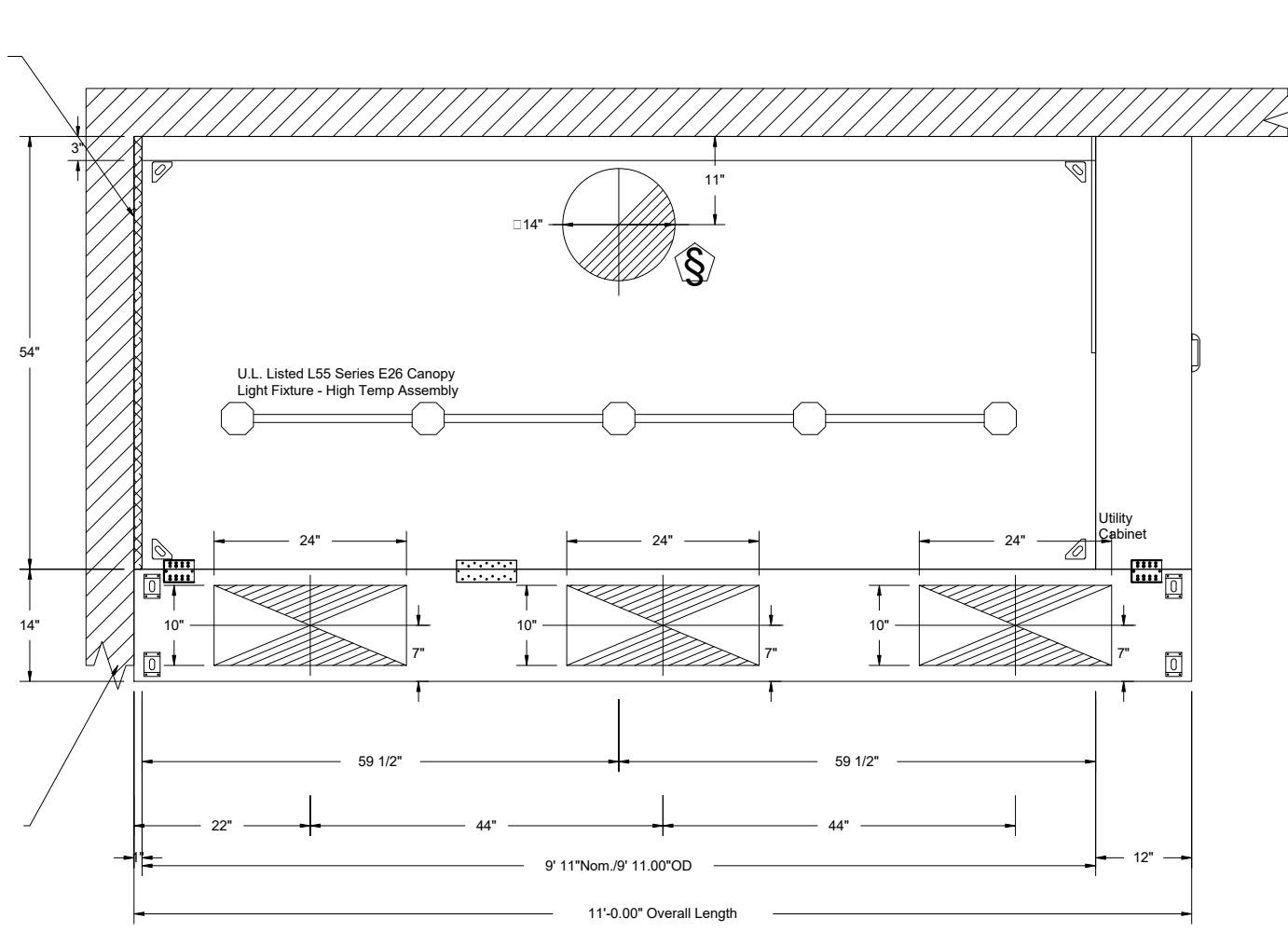
PERFORATED SUPPLY PLENUM(S)											
HOOD NO.	TAG	POS.	LENGTH	WIDTH	HEIGHT	TYPE	WIDTH	LENG.	DIA.	CFM	S.P.
1		Front	132"	14"	6"	MUA	10"	24"		566	0.174"
						MUA	10"	24"		566	0.174"
						MUA	10"	24"		566	0.174"

Fire System Information - Job#4257513					
FIRE SYSTEM NO.	TAG	TYPE	SIZE	FLOW POINTS	INSTALLATION
1		Ansul R102	3.0	10	Fire Cabinet Right

GAS VALVE(S)				
FIRE SYSTEM NO.	TAG	TYPE	SIZE	SUPPLIED BY
1		Mechanical	1.500	Distributor

1" LAYER OF INSULATION FACTORY INSTALLED IN 1" END STANDOFF MEETS 0" REQUIREMENTS CLEARANCE TO COMBUSTIBLE SURFACES

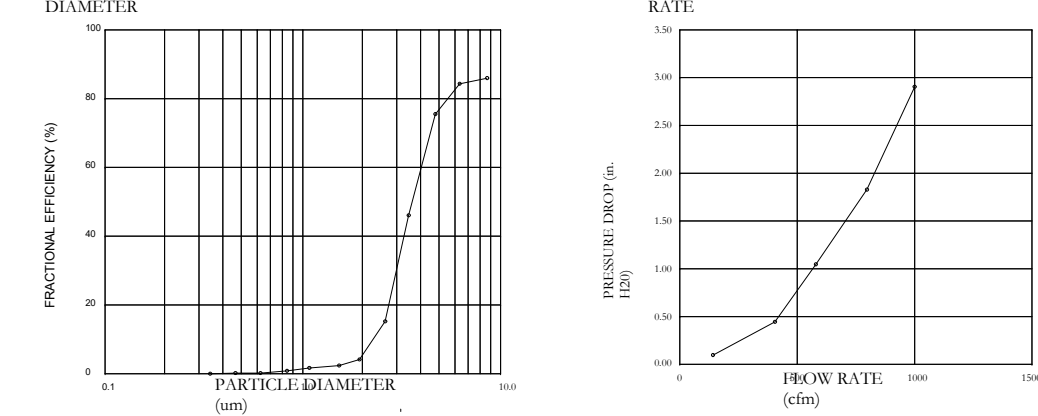
INSTALLER MUST CONFIRM HOOD IS INSTALLED SUCH THAT THE SPECIFIED WALL ACTING AS AN END PANEL IS MATED TIGHT TO THE CORRECT END OF HOOD TO ACHIEVE A REDUCED MINIMUM EXHAUST LISTING. NON-COMPLIANCE WILL NULLIFY THE ETL LISTING. VOID THE MANUFACTURER'S WARRANTY, AND HOLD THE CONTRACTOR LIABLE FOR ANY AND ALL LOSSES, COSTS AND EXPENSES RELATED TO THE NON-COMPLIANCE OF THE MANUFACTURER'S SPECIFIED INSTRUCTION, THE WALL ACTING AS AN END PANEL MUST EXTEND NO LESS THAN 20" FROM THE INTERSECTING WALL ON WHICH HOOD IS MOUNTED AND MUST EXTEND NO LESS THAN 20" UNDER BOTTOM OF HOOD TO BE ELIGIBLE FOR REDUCED MINIMUM EXHAUST CFM LISTING.



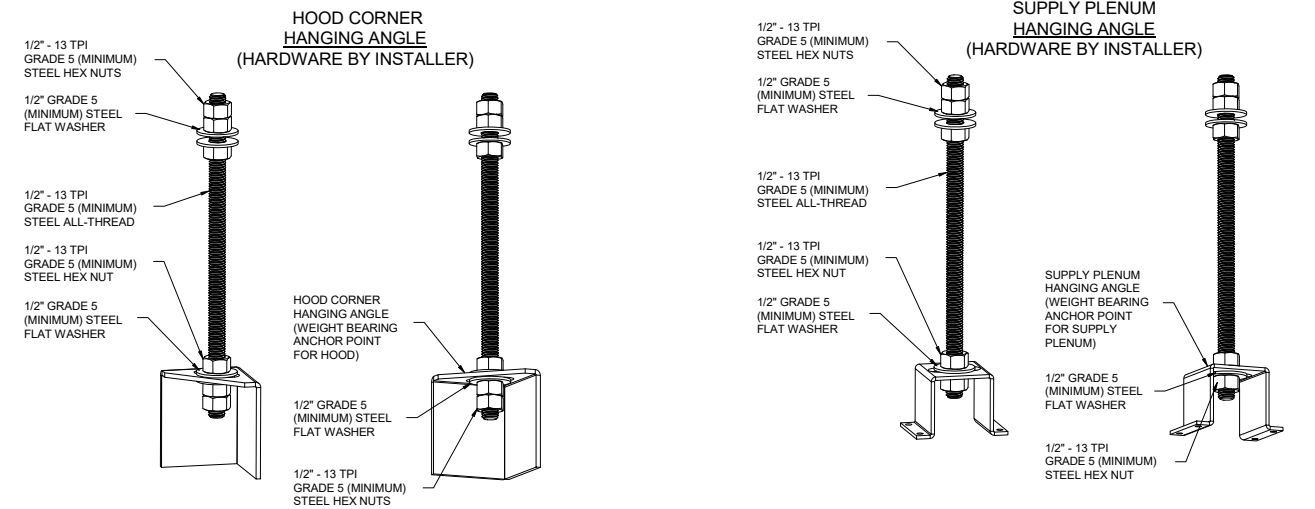
SPECIFICATION: CAPTRATE GREASE-STOP SOLO FILTER

THE CAPTRATE GREASE-STOP SOLO FILTER IS A SINGLE-STAGE FILTER FEATURING A UNIQUE S-Baffle DESIGN IN CONJUNCTION WITH A SLOTTED REAR Baffle DESIGN, TO DELIVER EXCEPTIONAL FILTRATION EFFICIENCY. FILTER IS STAINLESS STEEL CONSTRUCTION, AND SIZED TO FIT INTO STANDARD 2-INCH DEEP HOOD CHANNEL(S).

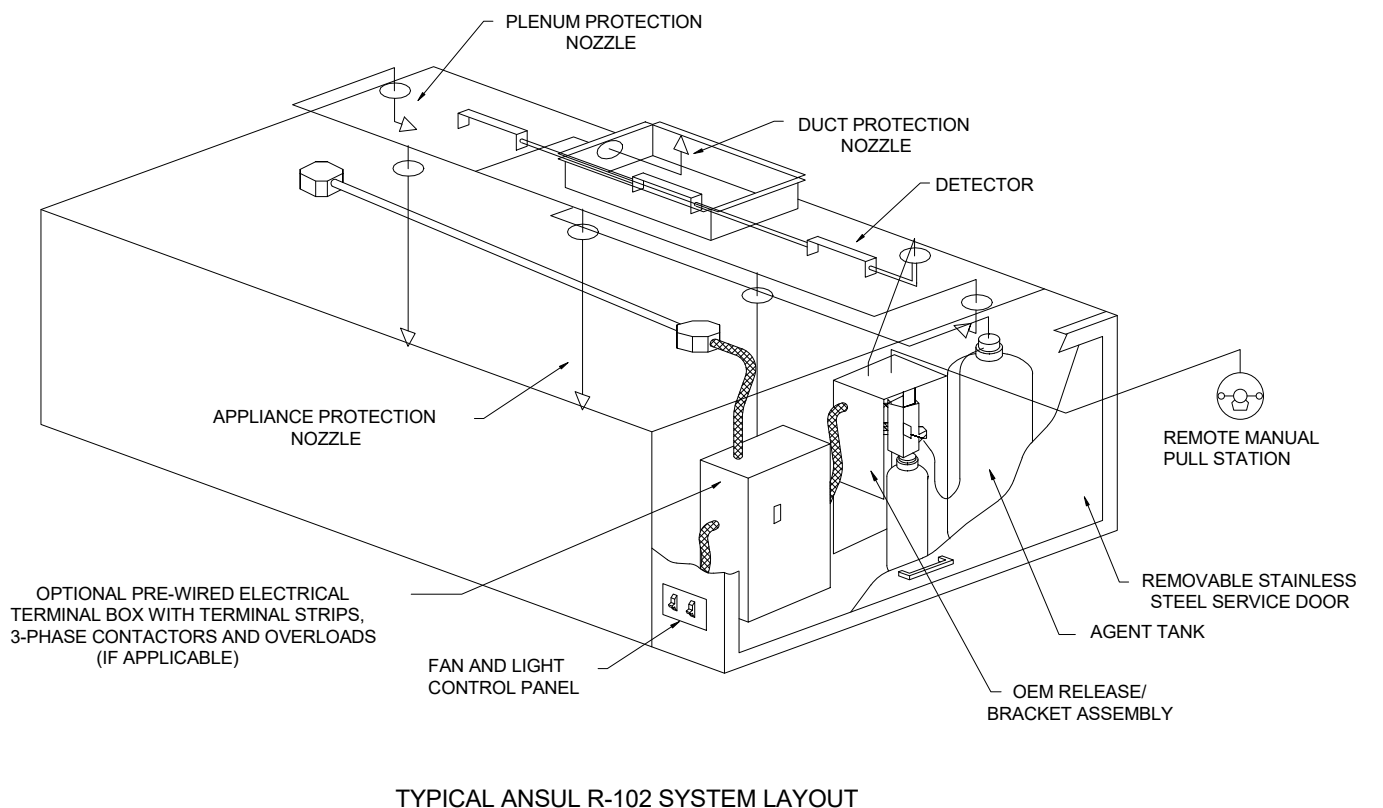
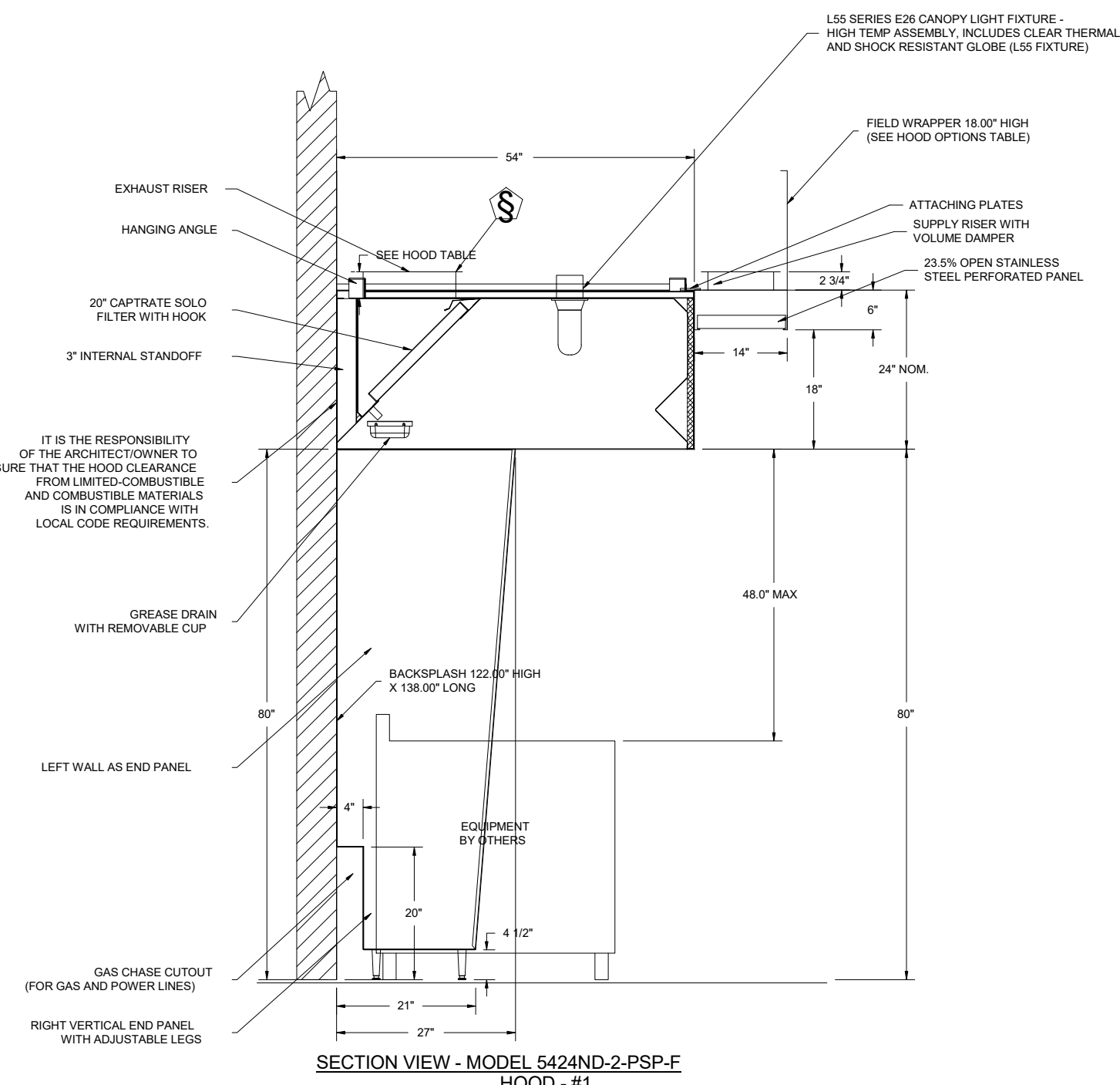
UNITS SHALL INCLUDE STAINLESS STEEL HANDLES AND A FASTENING DEVICE TO SECURE THE TWO COMPONENTS WHEN ASSEMBLED. GREASE EXTRACTION EFFICIENCY PERFORMANCE SHALL REMOVE AT LEAST 75% OF GREASE PARTICLES FIVE MICRONS IN SIZE, AND 85% GREASE PARTICLES SEVEN MICRONS IN SIZE AND LARGER, WITH A CORRESPONDING PRESSURE DROP NOT TO EXCEED 1.0 INCHES OF WATER GAUGE. THE CAPTRATE GREASE-STOP SOLO WAS TESTED TO ASTM STANDARD ASTM F2519-05. THIS FILTER IS APPROVED FOR USE IN SOLID FUEL APPLICATIONS AS A HEAVY-DUTY PRE-STEEL DRAINING FILTER.



CAPTRATE FILTERS ARE BUILT IN COMPLIANCE WITH:
NFPA 96
NSF STANDARD #2
UL STANDARD #1946
(INT. MECH. CODE (IMC))
ULC-S649



ASSEMBLY INSTRUCTIONS
HANGING ANGLE MUST BE SUPPORTED WITH 1/2" - 13 TPI GRADE 5 (MINIMUM) ALL-THREAD SANDWICH HANGING ANGLES AND CEILING ANCHOR POINTS WITH 1/2" GRADE 5 (MINIMUM) STEEL FLAT WASHERS AND 1/2" - 13 TPI GRADE 5 (MINIMUM) HEX NUTS AS SHOWN. MUST USE DOUBLED HEX NUT CONFIGURATION ABOVE CEILING ANCHORS. SINGLE HEX NUT BENEATH HANGING ANGLE IS ACCEPTABLE FOR PSP HANGING ANGLES. MAINTAIN 1/4" OF EXPOSED THREADS BENEATH BOTTOM HEX NUT. TORQUE ALL HEX NUTS TO 57 FT-LBS.



GREASE DUCT & CHIMNEY SPECIFICATIONS:
PROVIDE GREASE DUCT EQUAL TO CAPTIVEAIRE SYSTEMS MODEL "DW" ROUND 20 GAUGE 430 STAINLESS STEEL DUCTWORK. MODEL "DW" IS LISTED TO UL-1978 AND IS INSTALLED USING "V" CLAMP LOCKING CONNECTIONS SEALED WITH 3M FIRE BARRIER 2000 PLUS. MODEL "DW" DOES NOT REQUIRE WELDING PROVIDING IT HAS BEEN INSTALLED PER THE MANUFACTURERS INSTALLATION GUIDE.
PROVIDE RATED ACCESS DOORS AT EVERY CHANGE IN DIRECTION AND EVERY 12' ON CENTER. PER MANUFACTURERS LISTING MODEL "DW" HORIZONTAL RUNS LESS THAN 75 FT. CAN BE SLOPED 1/16" PER 12". HORIZONTAL RUNS MORE THAN 75 FT. CAN BE SLOPED 3/16" PER 12". DUCT SHOULD BE SLOPED AS MUCH AS POSSIBLE TO REDUCE THE CHANCE OF GREASE ACCUMULATION IN HORIZONTAL RUNS.
IF THE DUCT OR CHIMNEY IS WITHIN 18 INCHES OF COMBUSTIBLE MATERIAL, PROVIDE UL-2221 OR UL-103 HT LISTED DOUBLE WALL GREASE DUCT OR DOUBLE WALL CHIMNEY EQUAL TO CAPTIVEAIRE SYSTEMS MODEL "DW- 2R, 2R TYPE HT, 3R, OR 3Z" ROUND 20 GAUGE 430 STAINLESS INNER DUCT INSULATED WITH A 24 GAUGE 430 STAINLESS OUTER SHELL.

CAPTIVEAIRE SYSTEMS RECOMMENDS THE USE OF LISTED, PRE-FABRICATED ROUND GREASE EXHAUST DUCT TO REDUCE STATIC PRESSURE IN THE SYSTEM, MINIMIZE INSTALLATION AND INSPECTION TIMES, AND ENSURE DUCT IS LIQUID TIGHT

HVAC DISTRIBUTION NOTE
HIGH VELOCITY DIFFUSERS OR HVAC RETURNS SHOULD NOT BE PLACED WITHIN TEN (10) FEET OF THE EXHAUST HOOD. PERFORATED DIFFUSERS ARE RECOMMENDED.

VERIFY CEILING HEIGHT
HEIGHT REQUIRED TO VERIFY THAT HOOD FITS SPACE AND TO SIZE THE ENCLOSURE PANELS

CUSTOMER APPROVAL TO MANUFACTURE:
Approved on _____
Initials _____
Approved with NO Exception _____
Revised _____
Resubmitted _____
Signature _____
Your Title _____
Date _____

2/28/2020
4257513
PAB
3/4" = 1'-0"
MASTER DRAWING