

**CAPTIVE**  
Orlando, Mechanical  
19000 Independence Blvd., Greenwald, FL 32736 PHONE: (407) 882-2862 FAX: (919) 471-5911 EMAIL: mech1@captiveme.com

DME Sports Academy  
2441 Bellevue Ave.,  
DAYTONA BEACH, FL, 32114

2/28/2020  
4257513  
PAB  
3/4" = 1'-0"  
MASTER DRAWING  
2

**EXHAUST FAN INFORMATION - Job#4257513**

FAN UNIT NO.	TAG	FAN UNIT MODEL #	CFM	ESP.	RPM	H.P.	B.H.P.	VOLT	FLA	DISCHARGE VELOCITY	WEIGHT (LBS.)	SONES
1	HEF-1	DU185FA	2000	1.000	1025	1.000	0.5140	3	208	3.8	462 FPM	11.7

**CONDENSER DETAILS**

FAN UNIT NO.	TAG	FAN UNIT MODEL #	CONDENSER NO.	TONNAGE	VOLTAGE	PHASE	FREQUENCY	MCA	RLA	MAX. FUSE SIZE	MIN. WIRE SIZE	SEER
2	A1-15D-MPU		1	3	208-230	3 PHASE	60 Hz	11.7 Amps	8.46 Amps	20 Amps	14 AWG	14

**MUA FAN INFORMATION - Job#4257513**

FAN UNIT NO.	TAG	FAN UNIT MODEL #	MIN CFM	DESIGN CFM	ESP.	RPM	H.P.	B.H.P.	VOLT	FLA	MCA	MOCF	COOLING COIL ENTERING DB TEMP.	COOLING COIL ENTERING WB TEMP.	COOLING COIL LEAVING DB TEMP.	COOLING COIL LEAVING WB TEMP.	COOLING COIL TOTAL CAPACITY	COOLING COIL SENSIBLE CAPACITY	COOLING COIL LATENT CAPACITY	WEIGHT (LBS.)	SONES	
2	MAU-1	A1-15D-MPU	-	1700	0.400	1638	1.000	0.7020	3	208	3.1	3.8A	15A	91.0°F	77.0°F	79.7°F	71.6°F	36.0 MBH	20.4 MBH	15.6 MBH	934	20

FAN UNIT NO.	TAG	FAN UNIT MODEL #	HEATING MODE ENTERING DB TEMP.	HEATING MODE TEMP RISE	HEATING MODE DISCHARGE DB TEMP.
2	MAU-1	A1-15D-MPU	39.0°F	13.0°F	52.0°F

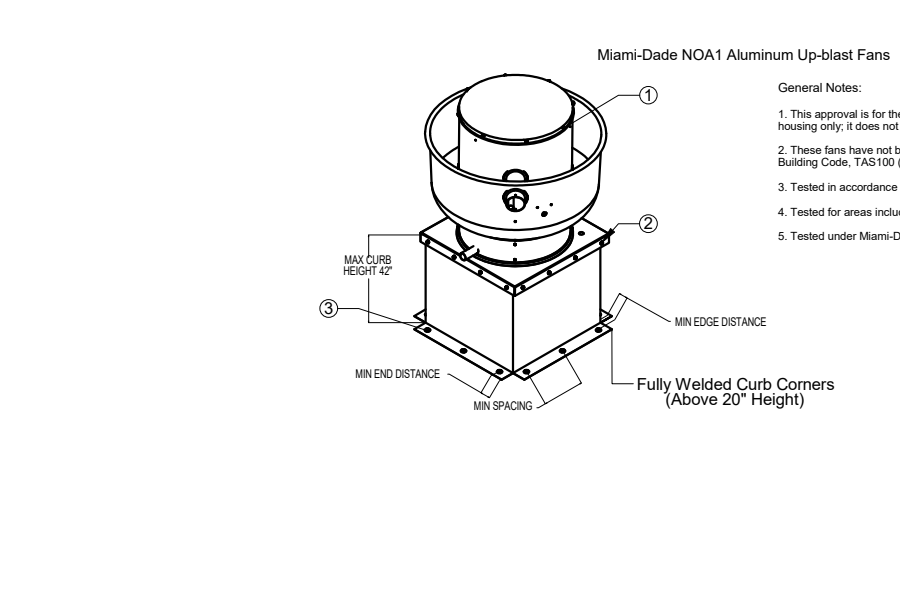
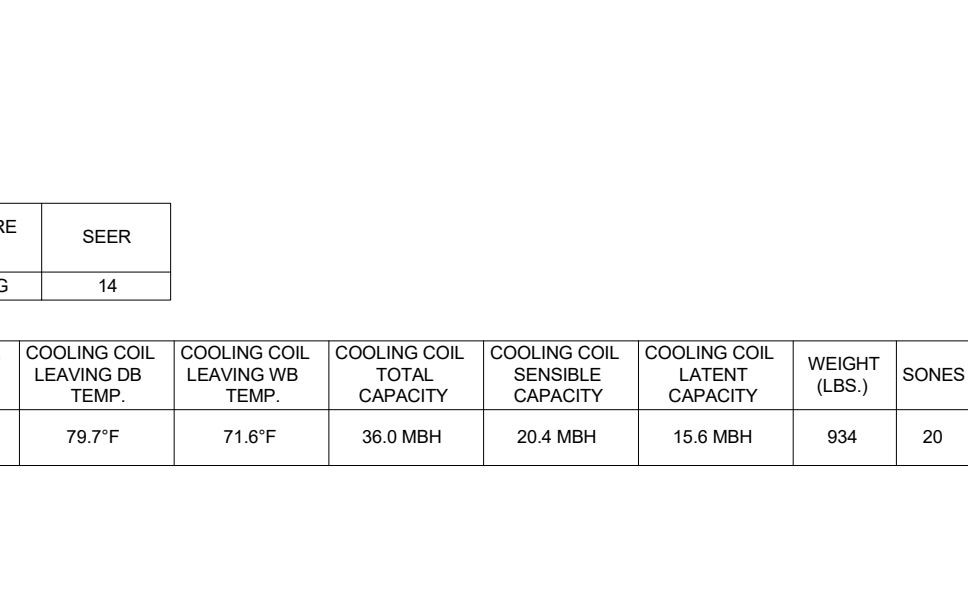
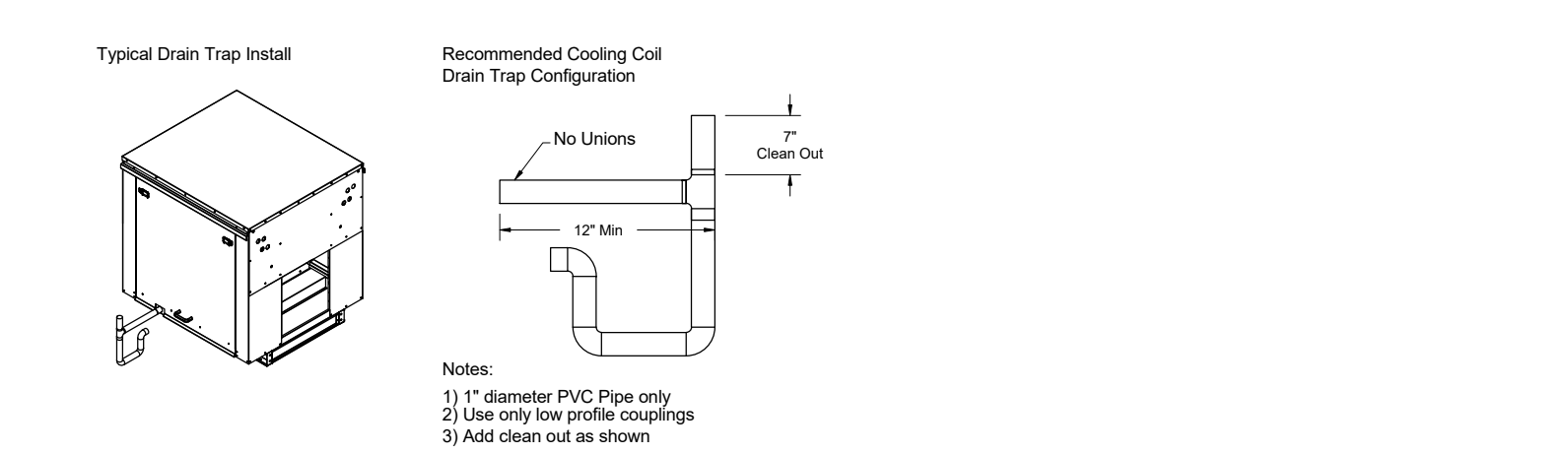
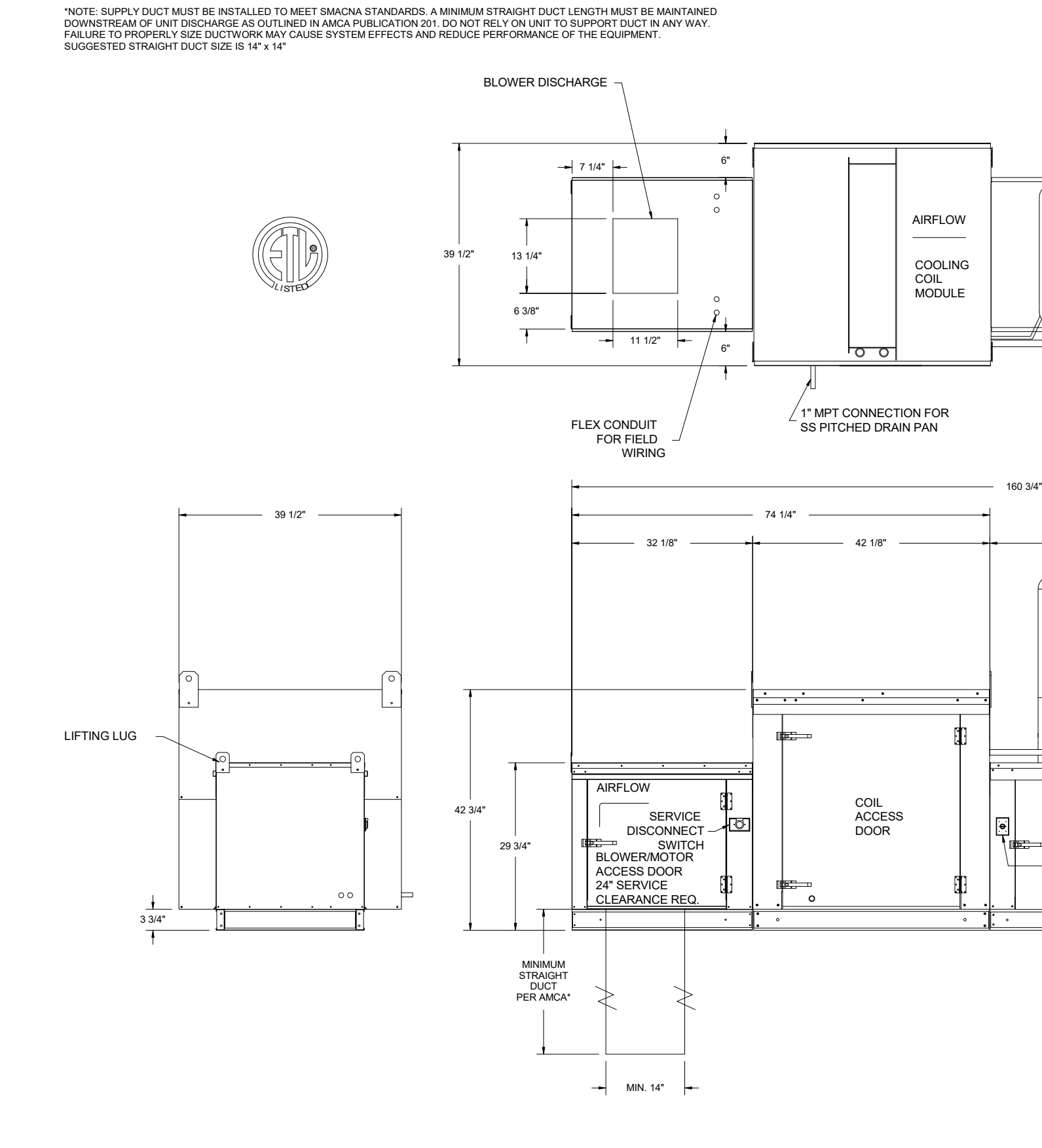
**FAN OPTIONS**

FAN UNIT NO.	TAG	OPTION (Qty. - Descr.)
1		1 - Grease Box 1 - Miami Dade Certification - NOA-1 Aluminum Uplast 1 - Hinge Kit - Ships Loose for Curb Supplied by Others 1 - Fan Base Ceramic Seal - Ship Loose - For Grease Ducts
2		1 - 3 Ton Single Circuit Modular Packaged Cooling Option with Heat Pump for Size 1 MUA (1,100 to 1,800 cfm), 208V/230V, 3 phase. 1 - Insulated Blower Section Size 1-2 Commercial 1 - Mod Package Unit Heat Pump Controls for Untempered Fans 1 - Condensing Unit Locking Caps for Single Heat Pump Condenser Units. 1 - Condenser Support for Size 1 Mod Package Unit 1 - Miami Dade Certification - NOA-2 Supply 1 - Separate 120V Wiring Package (Required and used only for DCV or Prewire with VFD) - Three Phase Only

**CURB ASSEMBLIES**

NO.	ON FAN	WEIGHT	ITEM	SIZE
1		162 LBS	Curb	21,000"W x 148,000"L x 20,000/20,000"H 3,000/12,000 Pitch Along Width, Right Insulated 16 Gauge MPU Curb Clips
2		23 LBS	Exhaust Adapter	From 20,500"sq To 28,500"sq x 9,000"H

**FAN #2 (A1-15D-MPU) - SUPPLY FAN**  
1. SUPPLY UNIT WITH 1P DIRECT DRIVE FAN IN SIZE #1 HOUSING  
2. INTAKE HOOD WITH FZ FILTERS  
3. DOWN DISCHARGE AIR FLOW DUCT - 1 LEFT  
4. 3 TON SINGLE CIRCUIT MODULAR PACKAGED COOLING OPTION WITH HEAT PUMP FOR SIZE 1 MODULAR PACKAGED UNIT. INCLUDES HEAT PUMP, DR. COIL, FILTER/DRYER KIT, THERMAL EXPANSION VALVE, R410A REFRIGERANT AND REFRIGERANT PIPING, 11,100 TO 1,800 CFM NOT BUILT WITH OPPOSITE SIDE CONTROLS OR OPPOSITE AIRFLOW DIRECTION. CONDENSERS REQUIRE SEPARATE 208V, 3 PHASE POWER SUPPLY UNLESS SPECIFIED WITH SINGLE PHASE CONNECTION. COIL - 252/210/19  
5. INSULATED BLOWER HOUSING SIZES 1-2 COMMERCIAL MODULAR  
6. CONTROL PACKAGE FOR MOD PACKAGE UNIT HEAT PUMP UNIT. INCLUDES AIRFLOW PROTECT SWITCH, RTU/KA/ACHP BOARD AND TERMINAL BLOCKS.  
7. LOCKING CAPS FOR SINGLE HEAT PUMP CONDENSER UNITS. CONSISTS OF LOCKING CAPS, PART# HOP-4, AND 1 KEY, PART# HCKEY.  
8. SUPPORT SHELL FOR SIZE 1 MODULAR PACKAGE UNIT. INCLUDES CONTROL VESTIBLE. INCLUDES CONDENSER SUPPORTS. DOES NOT INCLUDE RETURN AIR OR INLET AIR DAMPER.  
9. MIAMI DADE IMPACT AND WIND LOAD CERTIFICATION - 130 / 130 PSF - MIAMI DADE COUNTY PRODUCT CONTROL APPROVED FLORIDA BUILDING CODE APPROVAL. ROOF MOUNT EXHAUST CURBS UP TO 27" HIGH MUST BE 16 GAUGE ALUMINUM.  
10. SEPARATE 120VAC WIRING PACKAGE FOR MAKE-UP AIR UNITS. OPTION MUST BE SELECTED WHEN MOUNTING VFD IN PREWIRED PANEL OR WITH DCV PACKAGE. PROVIDES SEPARATE 120VAC INPUT TO SUPPLY FAN. THIS 120V SIGNAL MUST BE RUN BY ELECTRICIAN FROM DCV TO MUA SWITCH.  
  
NOTE: SUPPLY DUCT MUST BE INSTALLED TO MEET SMACNA STANDARDS. A MINIMUM STRAIGHT DUCT LENGTH MUST BE MAINTAINED DOWNSTREAM OF UNIT DISCHARGE AS OUTLINED IN AMCA PUBLICATION 201. DO NOT RELY ON UNIT TO SUPPORT DUCT IN ANY WAY. FAILURE TO PROPERLY SIZE DUCTWORK MAY CAUSE SYSTEM EFFECTS AND REDUCE PERFORMANCE OF THE EQUIPMENT. SUGGESTED STRAIGHT DUCT SIZE IS 14" x 14"

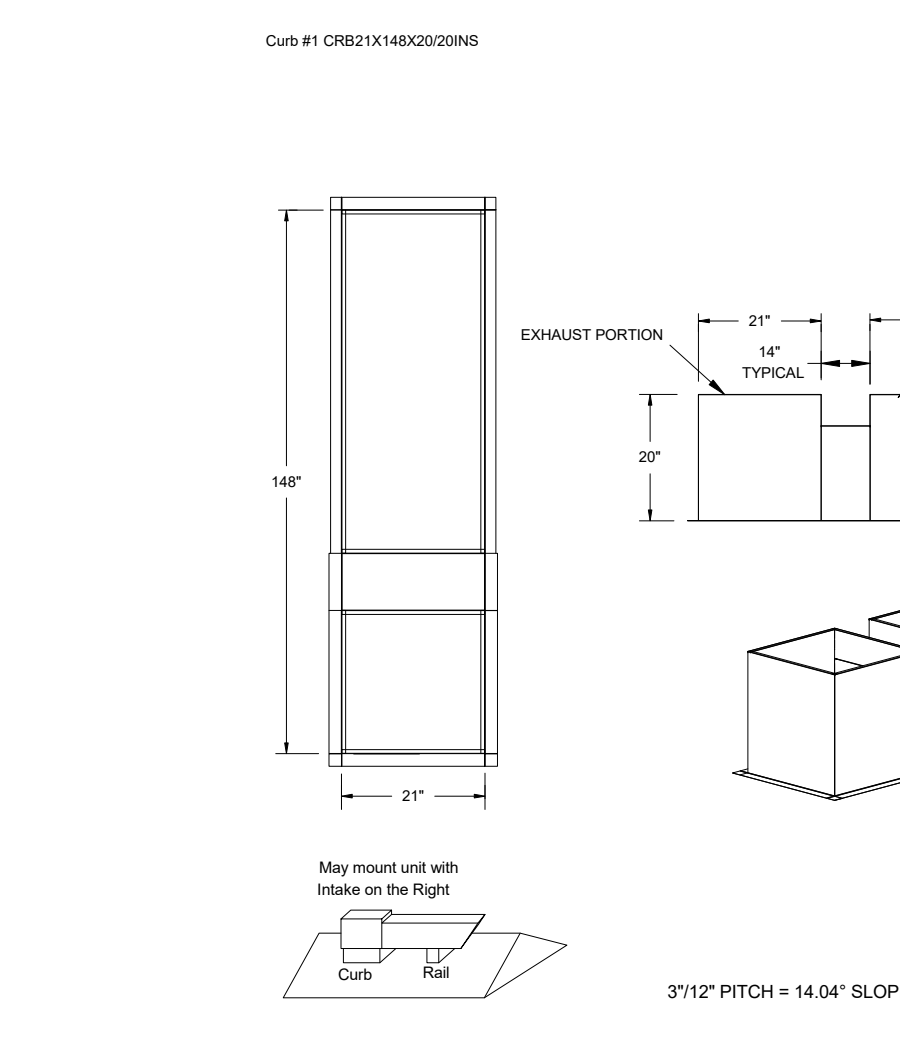
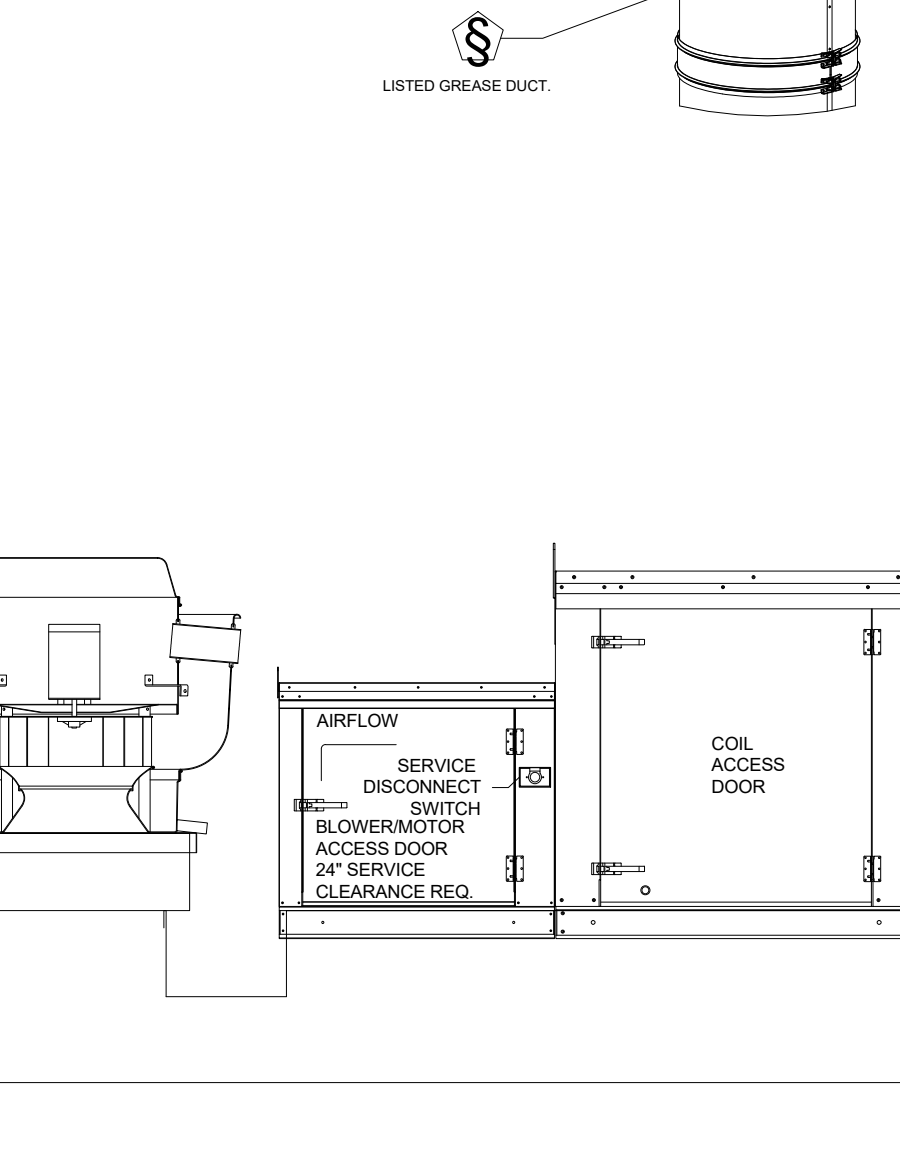
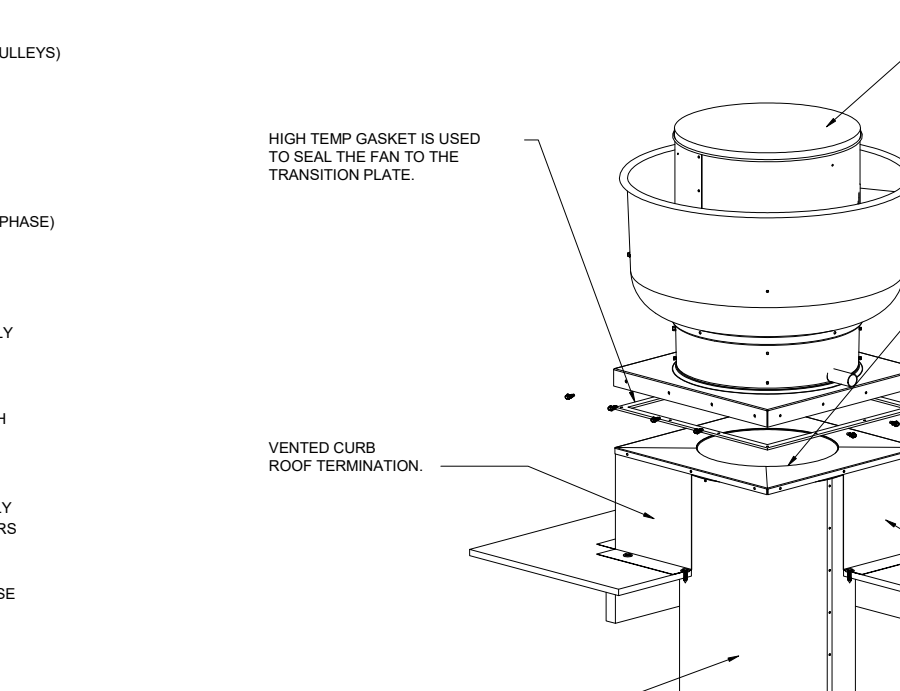


**CURB MATERIAL**

Fastener	Fan To Curb	Wind Deflector To Curb	Steel (12 Gauge Min.)	Concrete (2000 psi Min. Grouted)
Medium Thread Protection	N/A	2-1/2"	12 Gauge	2"
Medium Edge Distance	N/A	1-1/2"	3/8"	3"
Medium End Distance	N/A	2-5/8"	3/8"	3"
Medium Spacing	N/A	1-1/2"	3/4"	2"

**INSTALLATION FASTENER TYPES**

Fastener	Wind Deflector To Curb	Steel (12 Gauge Min.)	Concrete (2000 psi Min. Grouted)
Medium Thread Protection	N/A	1-1/2"	3/8"
Medium Edge Distance	N/A	1-1/2"	3/8"
Medium End Distance	N/A	2-5/8"	3/8"
Medium Spacing	N/A	1-1/2"	3/4"



**DESIGN PRESSURE: +150.0 PSF**

Fastener	Fan To Curb	Wind Deflector To Curb	Steel (12 Gauge Min.)	Concrete (2000 psi Min. Grouted)
Medium Thread Protection	N/A	2-1/2"	12 Gauge	2"
Medium Edge Distance	N/A	1-1/2"	3/8"	3"
Medium End Distance	N/A	2-5/8"	3/8"	3"
Medium Spacing	N/A	1-1/2"	3/4"	2"

**DESIGN PRESSURE: +30.0 PSF**

Fastener	Fan To Curb	Wind Deflector To Curb	Steel (12 Gauge Min.)	Concrete (2000 psi Min. Grouted)
Medium Thread Protection	N/A	2-1/2"	12 Gauge	2"
Medium Edge Distance	N/A	1-1/2"	3/8"	3"
Medium End Distance	N/A	2-5/8"	3/8"	3"
Medium Spacing	N/A	1-1/2"	3/4"	2"

**INSTALLATION FASTENER TYPES**

Fastener	Wind Deflector To Curb	Steel (12 Gauge Min.)	Concrete (2000 psi Min. Grouted)
Medium Thread Protection	N/A	1-1/2"	3/8"
Medium Edge Distance	N/A	1-1/2"	3/8"
Medium End Distance	N/A	2-5/8"	3/8"
Medium Spacing	N/A	1-1/2"	3/4"

