

REVISIONS	
ADDENDUM #1: 4/15/20	
RFI #1: 6/10/20	
ADDENDUM #2: 7/2/20	

DME SPORTS HOUSING COMPLEX
 OWNER/REP.: MIKE PANAGGIO, DIRECT MAIL EXPRESS, 2441 BELLEVUE AVENUE, DAYTONA BEACH, FL 32114 (386) 271-3924
 PROJECT LOCATION: 2501 BELLEVUE AVENUE, DAYTONA BEACH, FL 32114
 GENERAL CONTRACTOR: TO BE DETERMINED

BPE
 DESIGN INCORPORATED
 Building Design and Architecture
 # AA 2601108
 BRIAN P. FREDLEY, ASSOC. AIA, PROJECT MANAGER
 DALLAS B. PEACOCK, AIA, ARCHITECT
 # AR 0009706
 207 FAIRVIEW AVENUE, DAYTONA BEACH, FL 32114
 PH: (386) 257-2502 FX: (386) 257-1050
 E-MAIL: bfredley@bpdesign.com WEBSITE: bpdesign.com

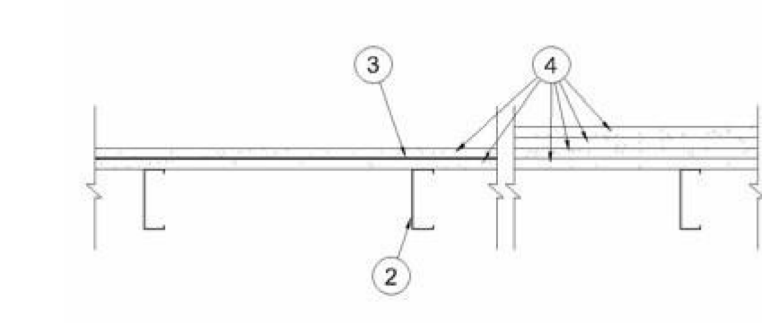
FIREBLOCK/DRAFTSTOP DETAILS			
DRAWN BY:	TEM	CHECKED BY:	DBP & BPF
DATE:	JULY 2, 2020	SHT NO. A14	
SCALE:			

ARCHITECTS / ENGINEER'S SEAL

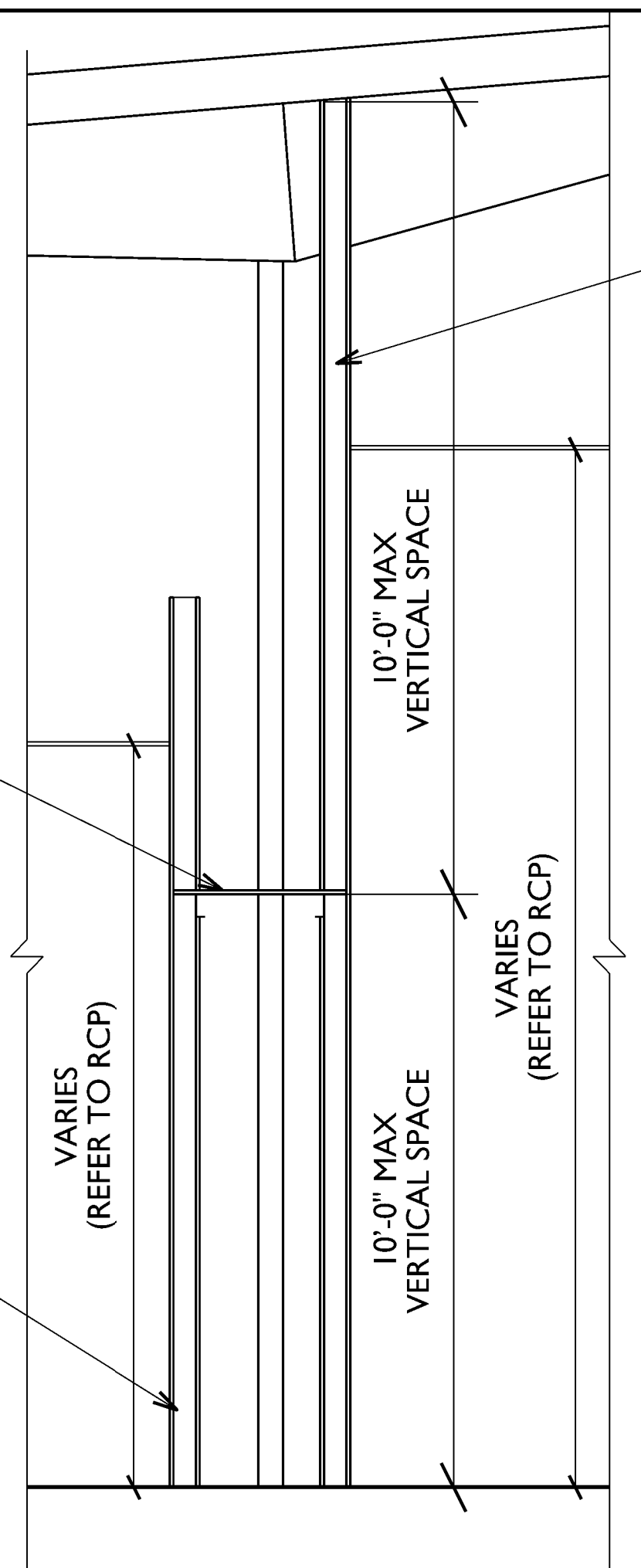
Design No. V497
June 12, 2020

Nonbearing Wall Rating - 1 or 2 Hr

* Indicates such products shall bear the UL or cUL Certification Mark for jurisdictions employing the UL or cUL Certification (such as Canada), respectively.



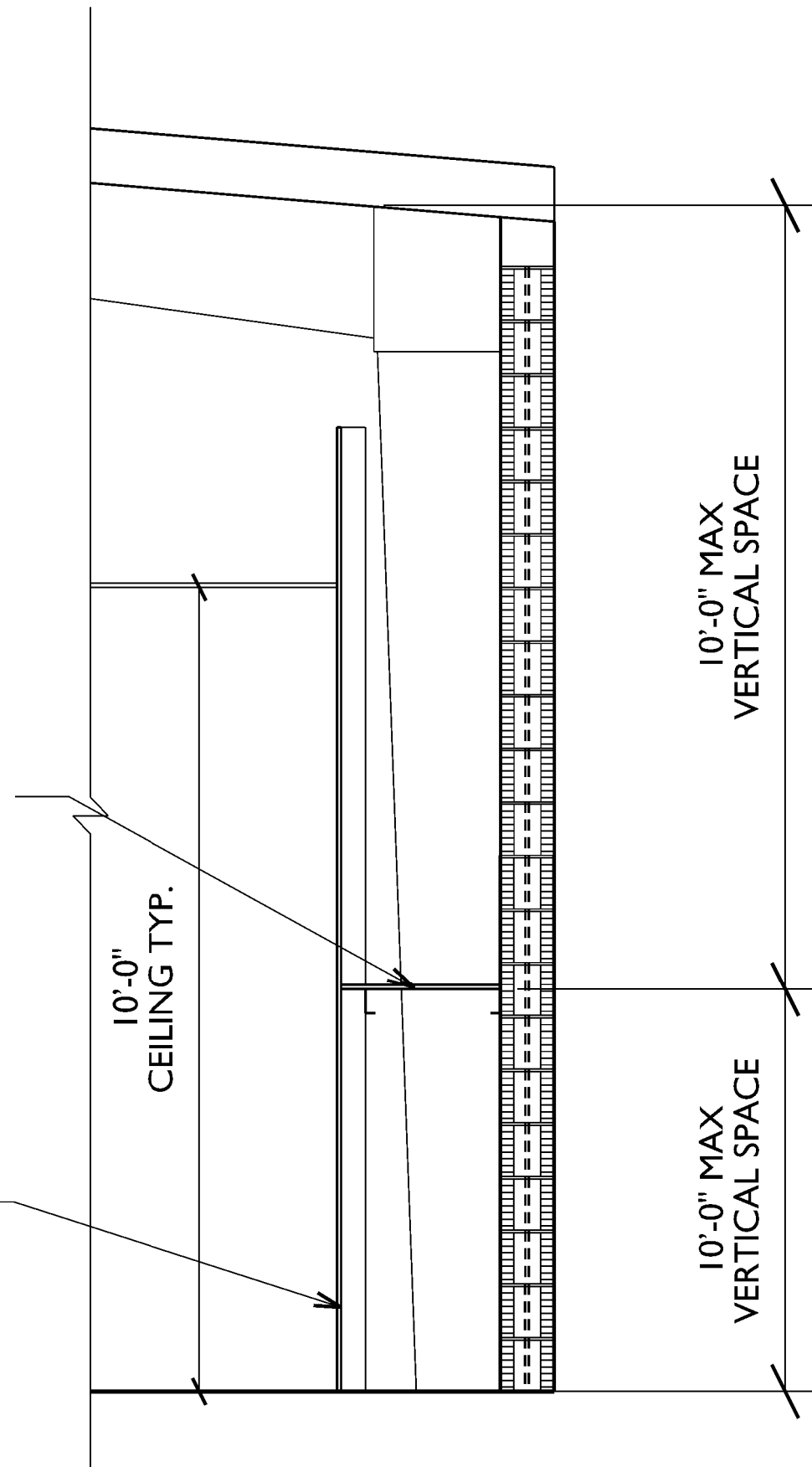
- Floor and Ceiling Runners** — (Not Shown) — Channel shaped, fabricated from min 25 MSG corrosion-protected steel, min width to accommodate stud size, with min 1-1/4 in. long legs, attached to floor and ceiling with fasteners 24 in. OC max.
- Framing Members—Floor and Ceiling Runners** — (Not Shown) — As an alternate to Item 1. For use with Item 2A, channel shaped, min width to accommodate stud size, with min 1-1/4 in. long legs, attached to floor and ceiling with fasteners 24 in. OC max.
MARINO/WARE, DIV OF WARE INDUSTRIES INC — Viper25™ Track
- Steel Studs** — Channel shaped, fabricated from min 25 MSG corrosion-protected steel, min 3-5/8 in. wide, min 1-1/4 in. flanges, spaced a max of 24 in. OC. Studs to be cut 3/8 to 3/4 in. less than assembly height.
- Steel Studs*** — Channel shaped, fabricated from min 25 MSG corrosion-protected steel, min 3-5/8 in. wide, min 1-1/4 in. flanges, spaced a max of 24 in. OC. Studs to be cut 3/8 to 3/4 in. less than assembly height.
MARINO/WARE, DIV OF WARE INDUSTRIES INC — Viper25™
- Laminating Compound** — For use with Item 4. - Used to bond outer layer wallboard to inner layer wallboard. Powder type mixed with water in accordance with instructions shown on bags. Applied to entire surface of base layer wallboard. Applied with notched trowel producing continuous beads about 1/4 in. wide and 1/4 in. high.
- Gypsum Board*** — 1 Hr Rating - Applied to one side of steel studs (Item 2). Two layers of 5/8 in. gypsum panels with beveled, square or tapered edges. Gypsum panels applied vertically with joints centered over studs. Base layer applied with 1 in. Type S screws spaced 24 in. oc. Face layer applied vertically with joints centered over studs and offset from base layer joints by one stud cavity. Face layer applied with 1-5/8 in. Type S screws spaced 12 in. oc starting with a 6 in. offset from the bottom of the gypsum panel.
NATIONAL GYPSUM CO — 5/8 in. thick Type eXP-C, FSL, FSW, FSK, FSW-3, FSW-5, FSW-G, FSK-G, FSW-6, FSW-8, FSW-C, FSWR-C, FSK-C, Type SBWB
- Gypsum Board*** — (As an alternate to Items 3 and 4) -- 1 Hr Rating - Applied to one side of steel studs (Item 2). Three layers of 5/8 in. gypsum panels with beveled, square or tapered edges. Gypsum panels applied vertically or horizontally with vertical joints centered over studs and staggered one stud cavity in adjacent layers. Horizontal edge joints and horizontal butt joints in adjacent layers staggered a minimum of 12 in. Horizontal joints need not be backed by steel framing. First layer applied with 1 in. Type S screws spaced 24 in. oc. Second layer applied vertically with joints centered over studs and offset from base layer joints by 24 in. Second layer applied with 1-5/8 in. Type S screws spaced 24 in. oc. Face layer applied vertically with joints centered over studs and offset from second layer joints by 24 in. Face layer applied with 2-1/4 in. Type S screws spaced 12 in. oc starting with a 6 in. offset from the bottom of the gypsum panel.
NATIONAL GYPSUM CO — 5/8 in. thick Type eXP-C, FSL, FSW, FSK, FSW-3, FSW-5, FSW-G, FSK-G, FSW-6, FSW-C, FSWR-C, FSK-C, Type SBWB
- Gypsum Board*** — 1 Hr Rating - (As an alternate to Item 4A) - Nom. 5/16 in. thick gypsum panels applied vertically. Two layers of 5/16 in. for every single layer of 5/8 in. gypsum board described in Item 4A. Horizontal joints on the same side need not be staggered. Inner layer of each double 5/16 in. layer attached with fasteners, as described in Item 4A, spaced 24 in. OC. Outer layer of each double 5/16 in. layer attached per Item 4A.
NATIONAL GYPSUM CO — Type FSW
- Gypsum Board*** — 2 Hour Rating — Applied to one side of steel studs (Item 2). Four layers of 5/8 in. gypsum panels with beveled, square or tapered edges. Gypsum panels applied vertically or horizontally with vertical joints centered over studs and staggered one stud cavity in adjacent layers. Horizontal edge joints and horizontal butt joints in adjacent layers staggered a minimum of 12 in. Horizontal joints need not be backed by steel framing. First layer applied with 1 in. Type S screws spaced 24 in. oc. Second layer applied with 1-5/8 in. Type S screws spaced 24 in. oc. Third layer applied with 2-1/2 in. Type S screws spaced 16 in. oc. Fourth layer applied with 3" Type S screws spaced 12 in. oc.
NATIONAL GYPSUM CO — 5/8 in. thick Type eXP-C, FSL, FSW, FSK, FSW-3, FSW-5, FSW-G, FSK-G, FSW-6, FSW-C, FSWR-C, FSK-C, Type SBWB
- Joint Tape and Compound** — (Not Shown) - Joints covered with joint compound and paper tape. Paper tape, nom 2 in. wide, embedded in first layer of compound over all joints of outer panels.



C
A14 INT. CONDITION
TYPICAL @ INTERIOR COLUMNS & VOID SPACES
SCALE: NTS

REFER TO PLAN EITHER UL U419 WALL OR INT. NON-RATED WALL TO UNDERSIDE OF DECK

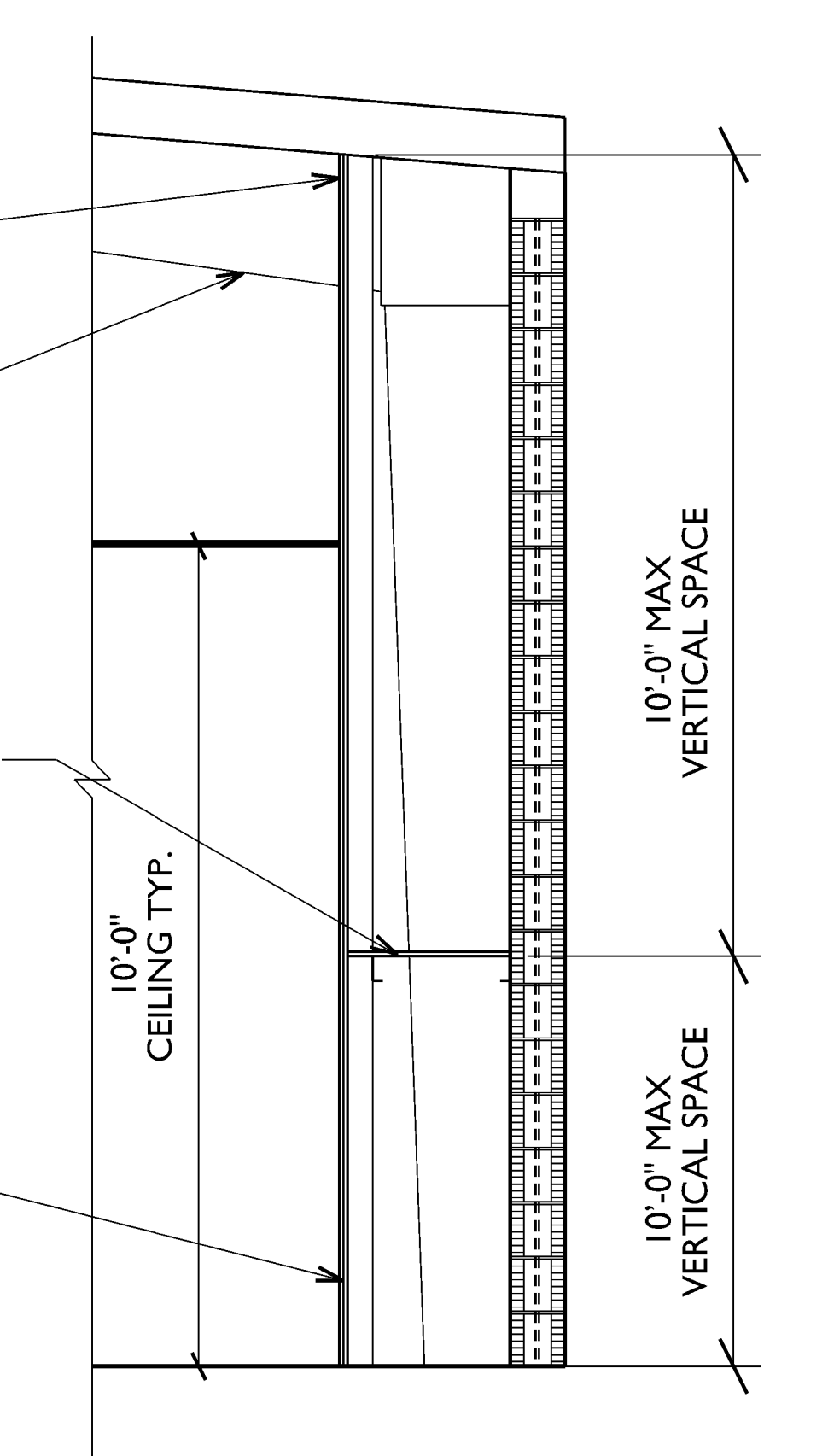
*NOTE
CONDITION APPLIES TO ALL INTERIOR CONCEALED WALL SPACES. FIELD VERIFY LOCATIONS



TYPICAL NON-RATED WALL CONDITION

PROVIDE MIN. 1/2" GYP BOARD & ROCK WOOL DRAFT STOP/FIRE BLOCK WITHIN CONCEALED SPACE HORIZONTAL AT MAX 10'-0" VERTICAL INTERVAL

NON-RATED WALL, 3 5/8" 20G MTL STUDS @ 16" O.C. W/ (1) LAYER 5/8" GYP BOARD OUTER FACE



TYPICAL RATED WALL CONDITION

EXTEND TO ROOF DECK

*NOTE: WHERE RATED WALL DIES INTO FRAME, FRAME TO BE WRAPPED IN UL V497 ENCLOSURE

PROVIDE MIN. 1/2" GYP BOARD & ROCK WOOL DRAFT STOP/FIRE BLOCK WITHIN CONCEALED SPACE HORIZONTAL AT MAX 10'-0" VERTICAL INTERVAL

1 HR RATED NON BEARING UL V497 WALL

A
A14 ENDWALL COLUMN CONDITION
TYPICAL @ CMU EXT. WALLS
SCALE: NTS

GENERAL NOTES:
ALL DIMENSIONS ARE TO FINISH FACE UNLESS NOTED OTHERWISE
ALL GENERAL & SUB-CONTRACTORS TO FIELD VERIFY ALL DIMENSIONS, ELECTRICAL, WATER, SEWER AND GAS SERVICE LOCATIONS.
ALL WORK MUST COMPLY WITH THE 2017 EDITION (EXPOSURE 'D') OF THE FLORIDA BUILDING CODE SECT. 1609: 140 MPH WIND LOAD AND THE FLORIDA ACCESSIBILITY CODE FOR BUILDING CONSTRUCTION
ALL DOOR & WINDOW OPENINGS TO MEET OR EXCEED DESIGN PRESSURE RATING
THE BUILDING RISK CATEGORY IS '1'
INTERNAL PRESSURE COEFFICIENT IS .18 IN ACCORDANCE WITH ASCE 7-10
ALL GLAZING IS TO BE NON-IMPACT RESISTANT