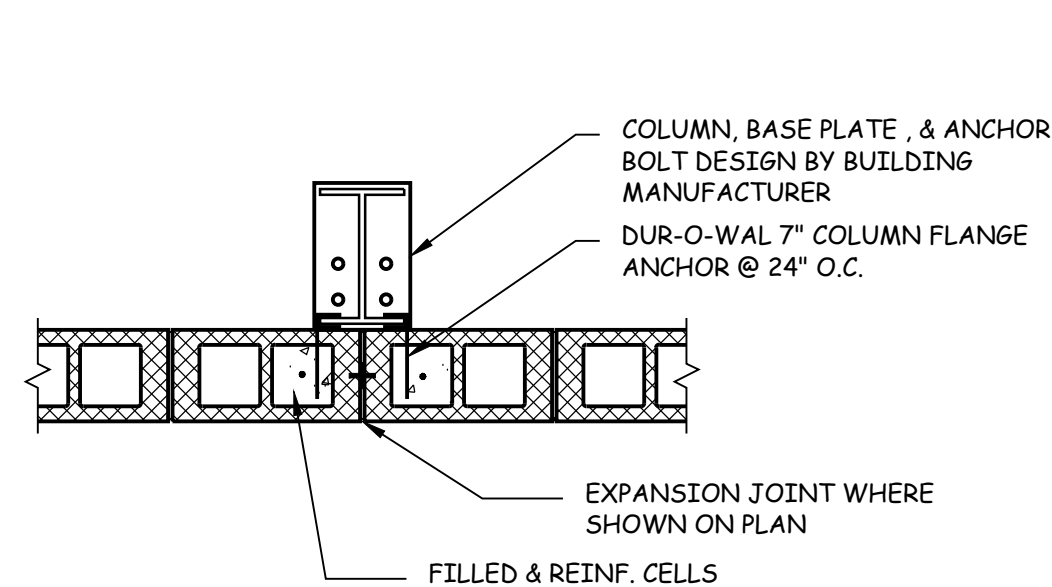


FOUNDATION DETAIL

SCALE: 3/4" = 1'-0"

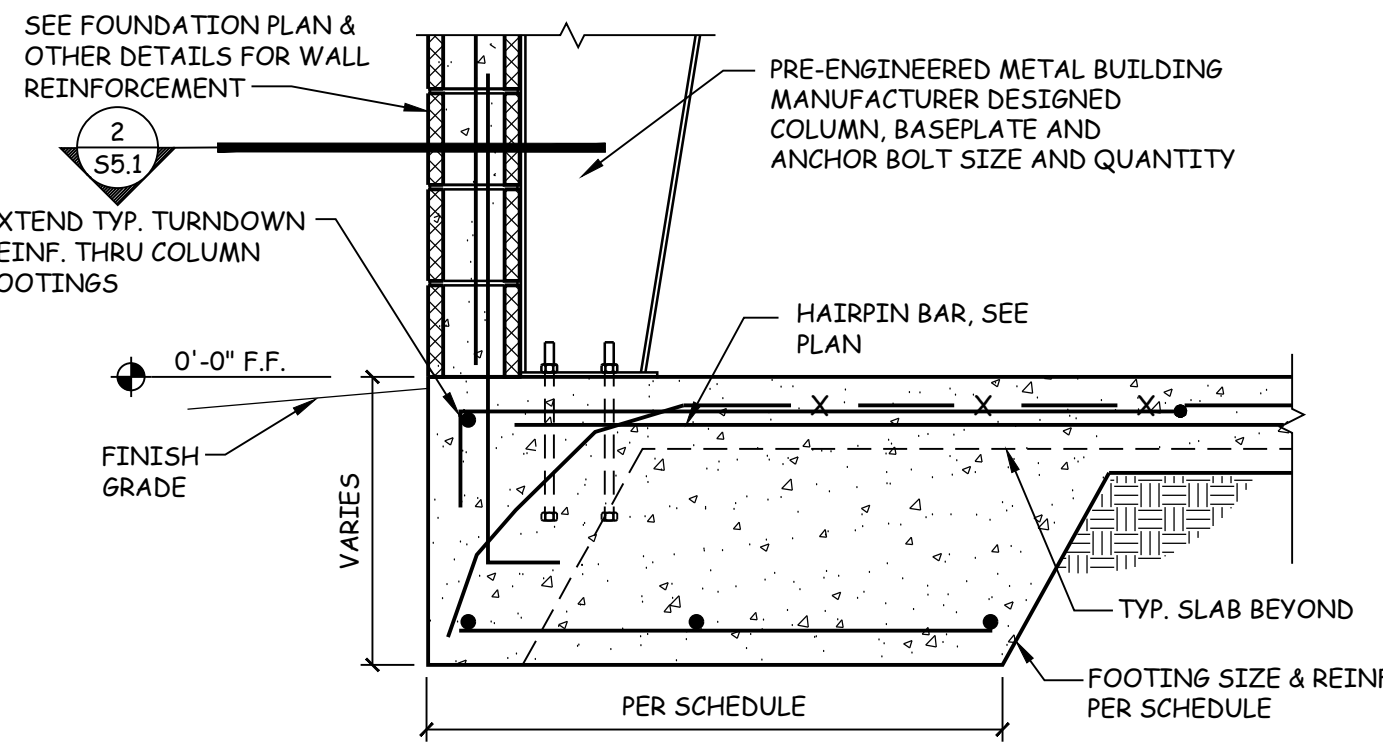
1



CONNECTION DETAIL

SCALE: 3/4" = 1'-0"

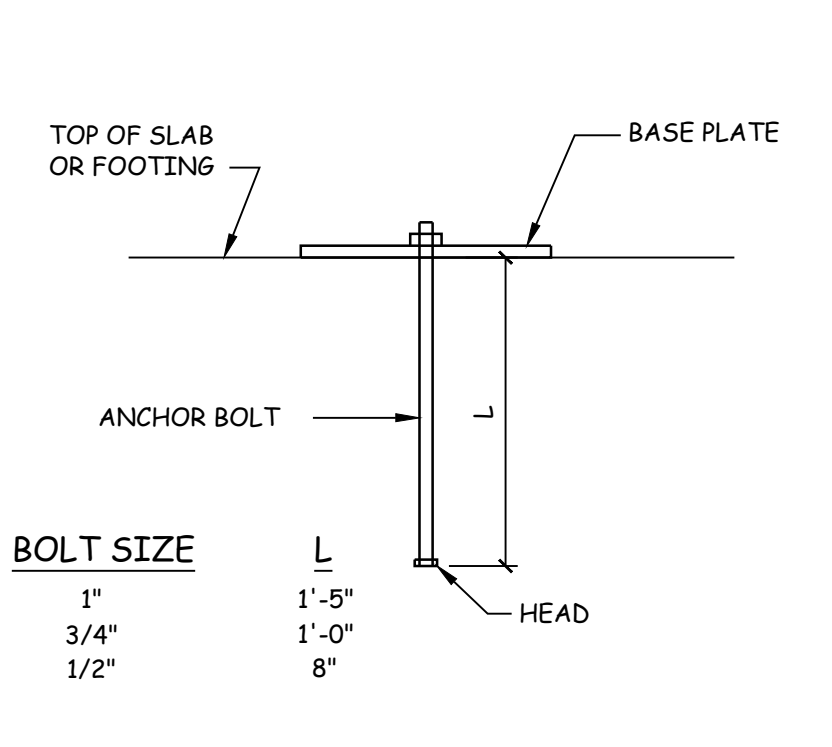
2



FOUNDATION DETAIL

SCALE: 3/4" = 1'-0"

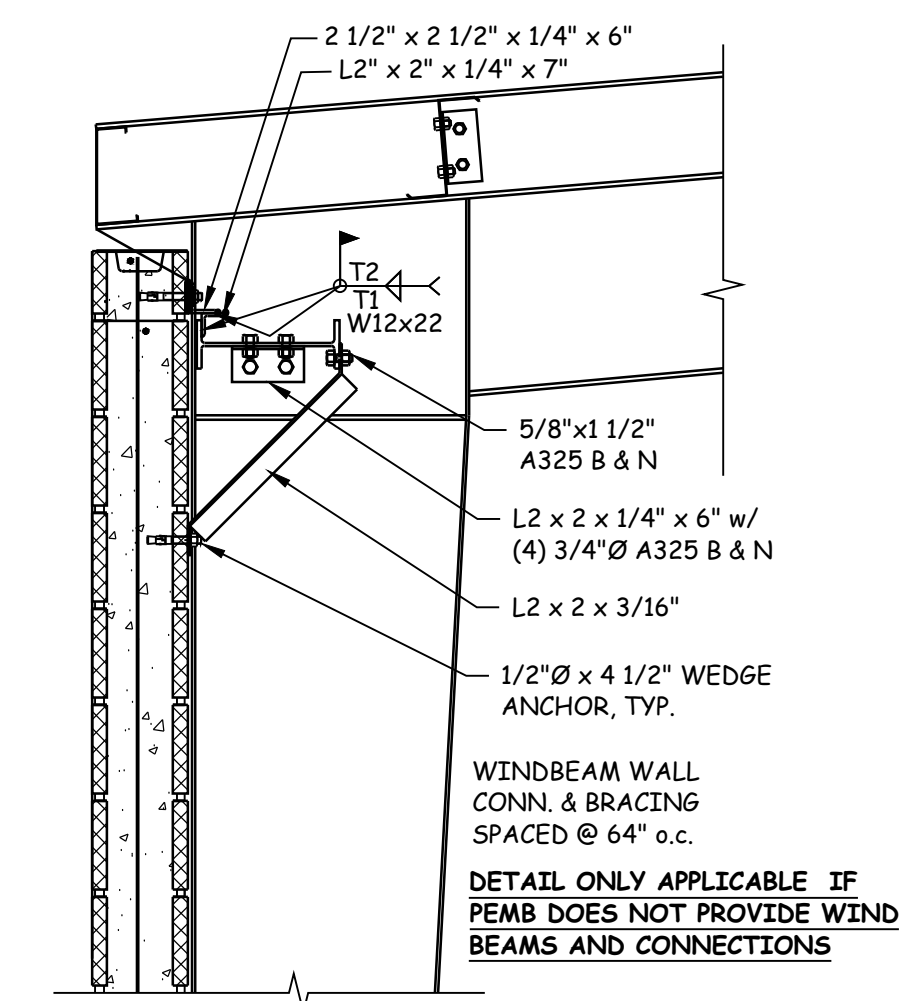
3



ANCHOR BOLT DETAIL

SCALE: 3/4" = 1'-0"

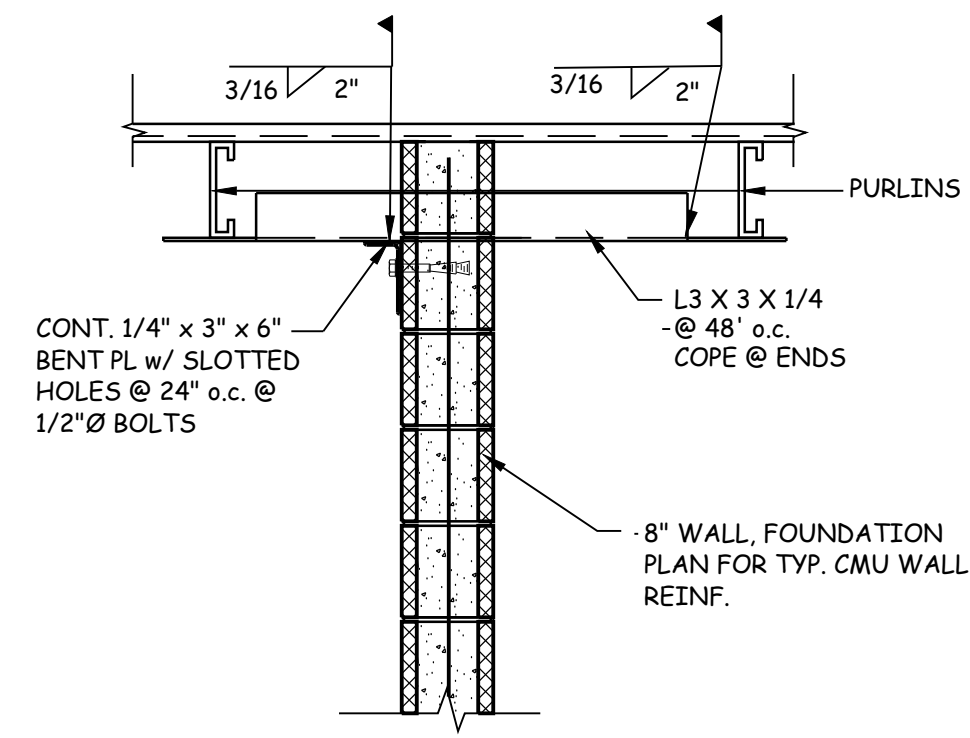
4



WALL DETAIL

SCALE: N.T.S.

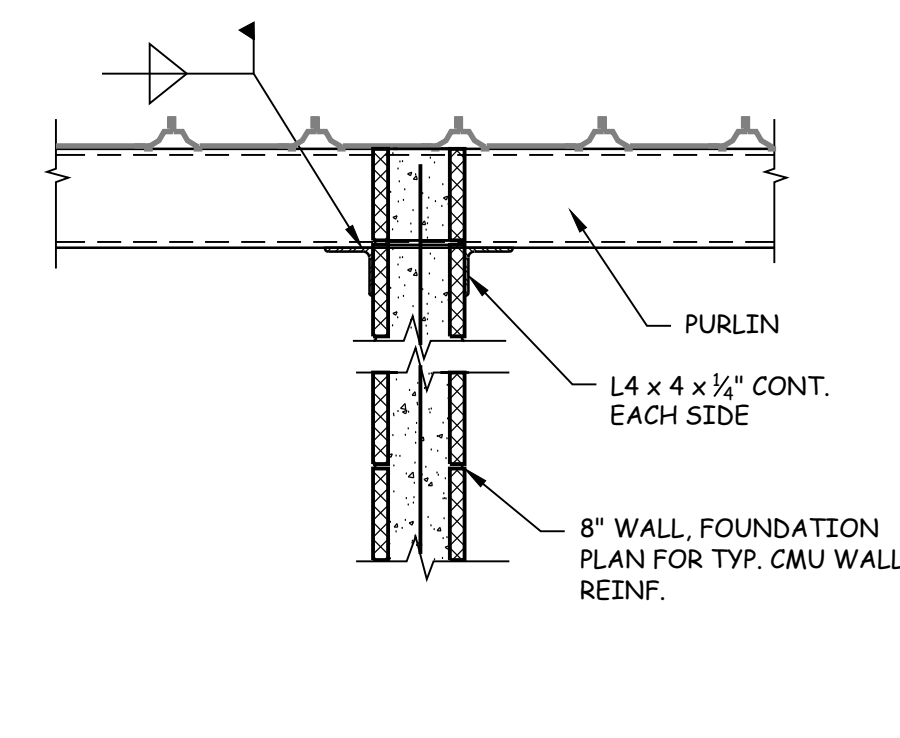
5



TYP. CMU WALL BRACING DETAIL

SCALE: 3/4" = 1'-0"

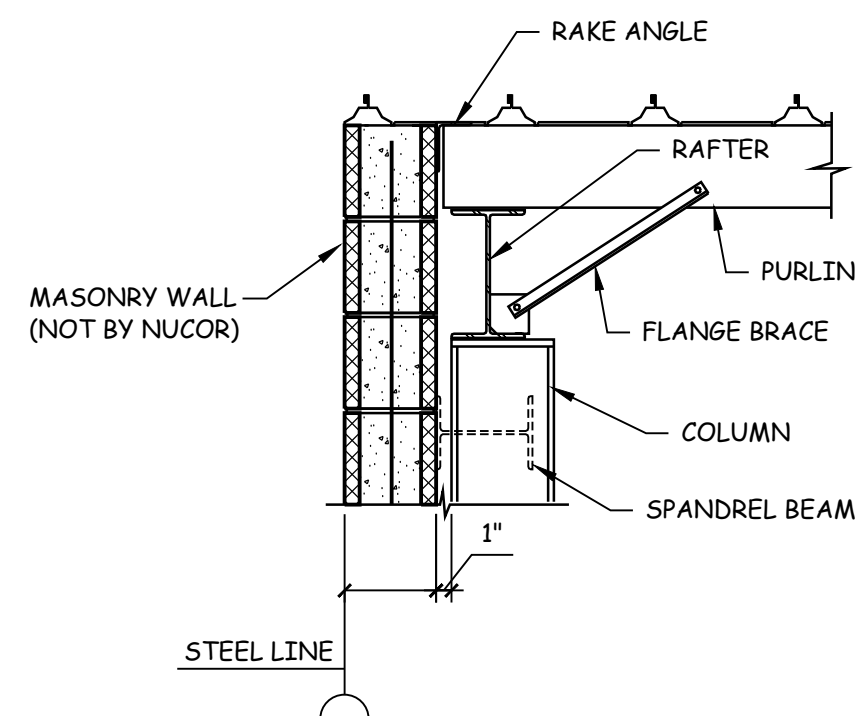
6



TYP. CMU WALL BRACING DETAIL

SCALE: 3/4" = 1'-0"

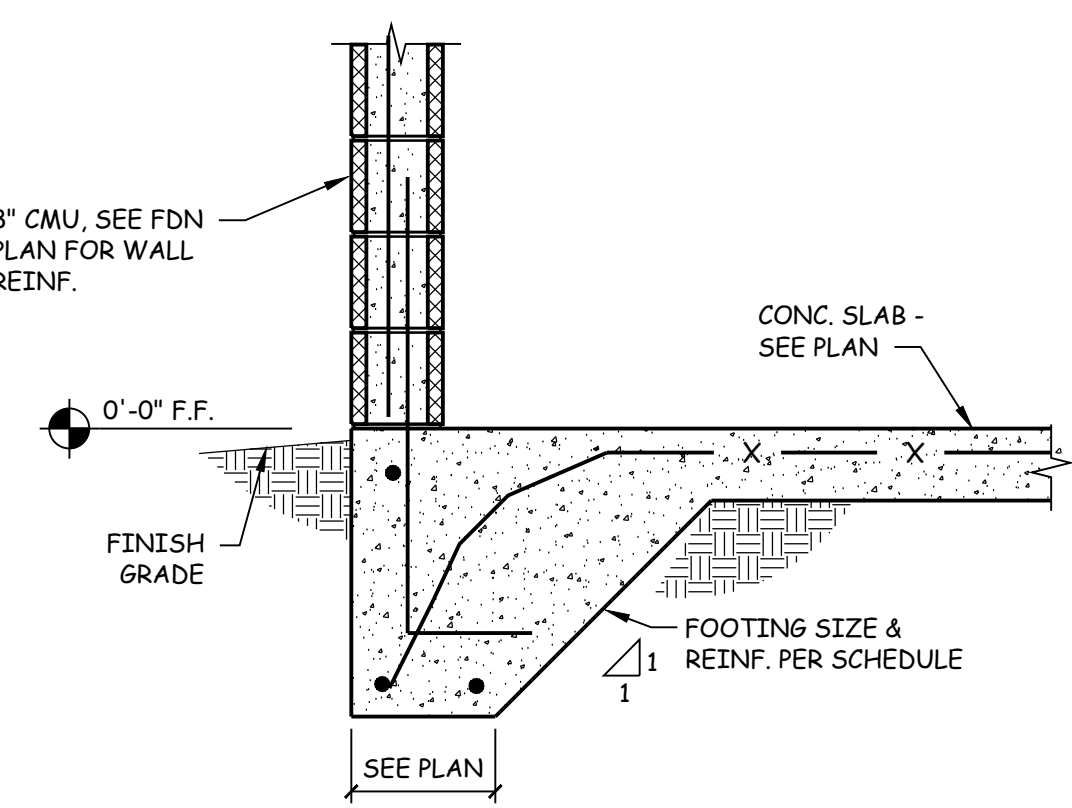
7



NON-LOAD BEARING MASONRY WALL DETAIL

SCALE: 3/4" = 1'-0"

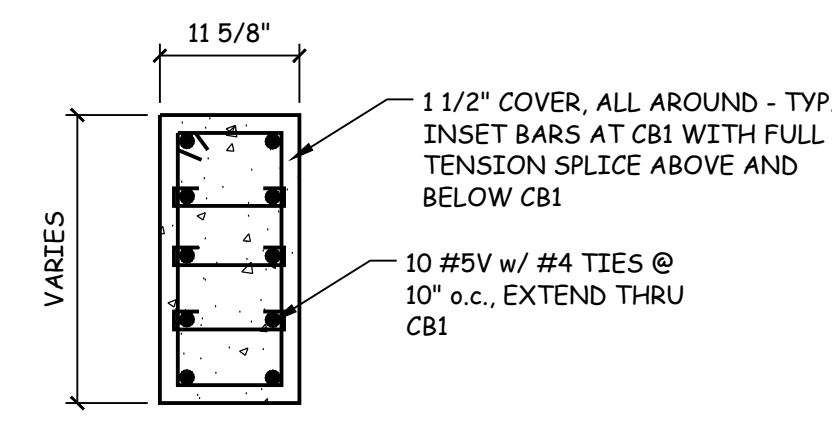
8



FRONT WALL DETAIL

SCALE: 3/4" = 1'-0"

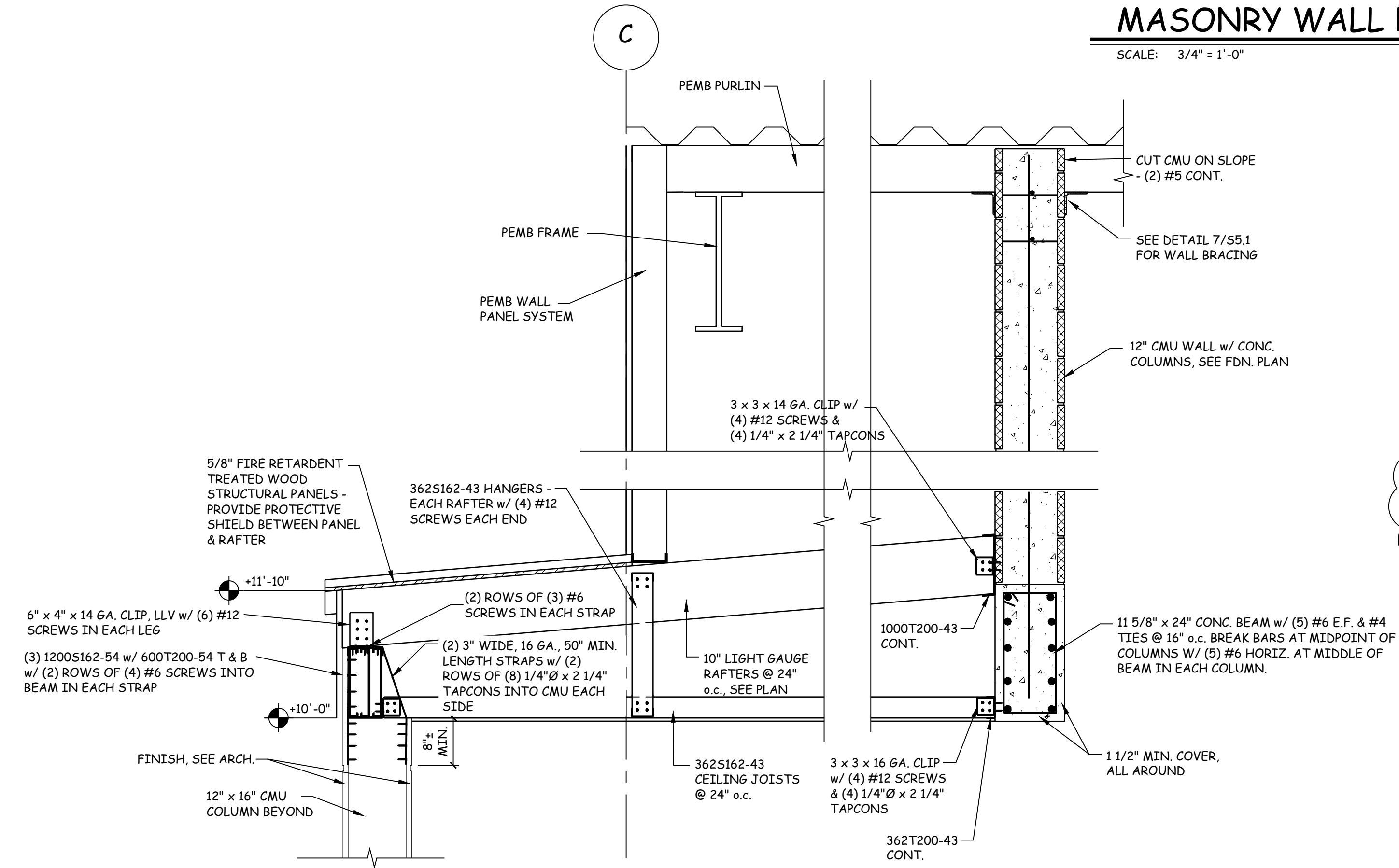
9



CONCRETE COLUMN

SCALE: 3/4" = 1'-0"

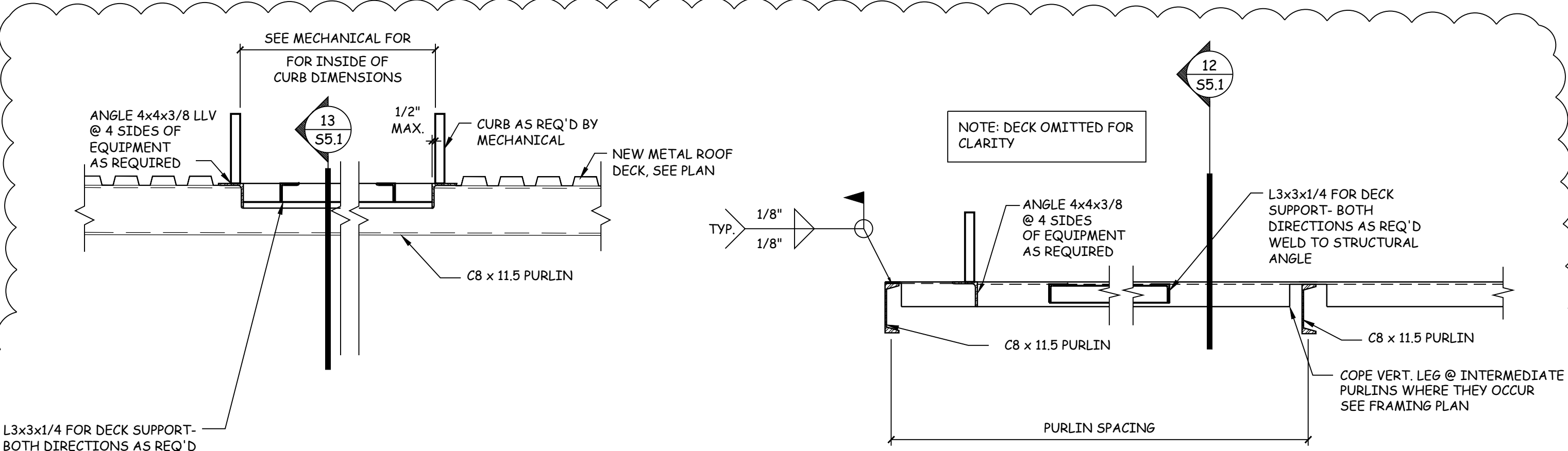
11



DETAIL

SCALE: 3/4" = 1'-0"

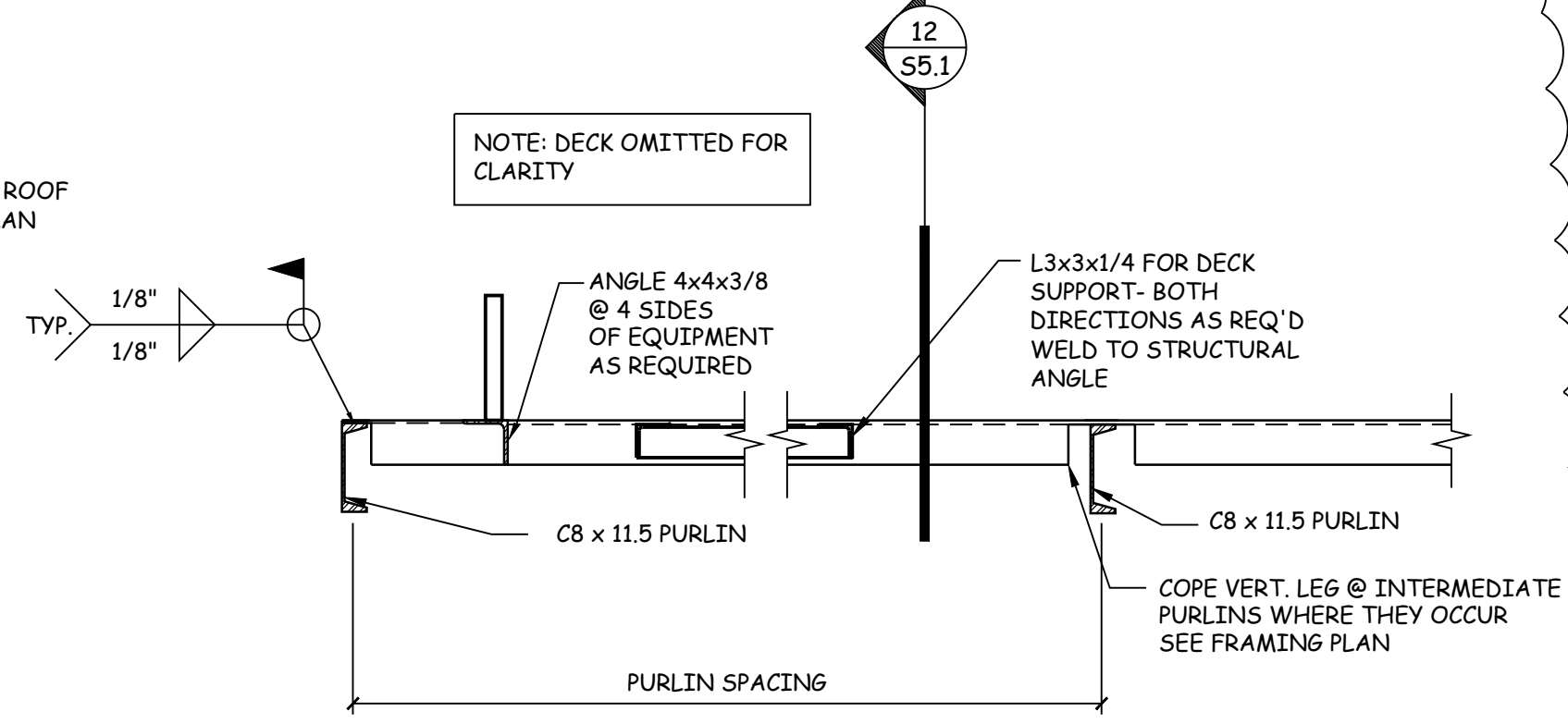
10



DETAIL

SCALE: N.T.S.

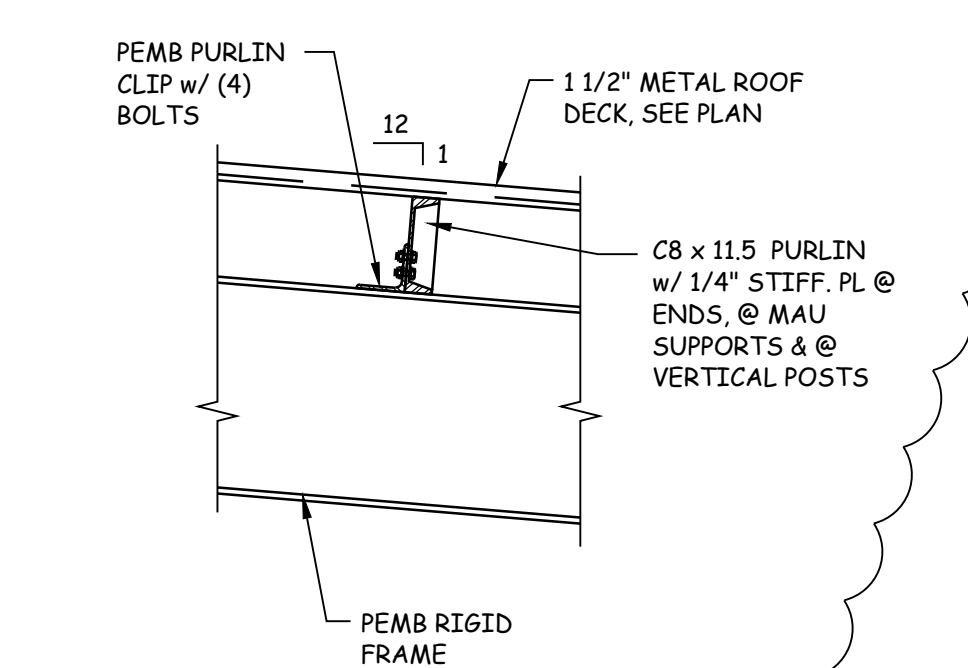
12



DETAIL

SCALE: N.T.S.

13



DETAIL

SCALE: N.T.S.

14

1901 Big Crane Loop
Port Orange, FL 32128
Phone: (386) 265-4911
Fax: (386) 265-4912
www.wctassociates.com
Engineering COA #29260

WCT Associates Inc

DME SPORTS HOUSING COMPLEX
2501 BELLEVUE AVENUE
DAYTONA BEACH, FL 32114

Drawing Title:
STRUCTURAL DETAILS

THIS DRAWING HAS BEEN RELEASED:
 FOR REVIEW ONLY
 FOR PERMITTING ONLY
 SCHEMATIC DESIGN
 DESIGN DEVELOPMENT
 CONSTRUCTION DOCUMENTS

Date: 10/29/19
 Designed By: W.C.T.
 Drawn By: S.S.B.
 Reviewed By: W.C.T.

Project No. 180027

Revisions:
 1 5/1/2020

Sheet: 5 of 6
 Sheet No. S5.1

WALTER CARL TAYLOR, P.E.
 54548
 WALTER CARL TAYLOR
 LICENSE
 No. 54548
 STATE OF FLORIDA
 PROFESSIONAL ENGINEER

This item has been electronically signed and sealed by Walter Carl Taylor, P.E. on 5/1/2020 using a Digital Signature.

Printed copies of this document are not considered signed and sealed and the signature must be verified on any electronic copies.