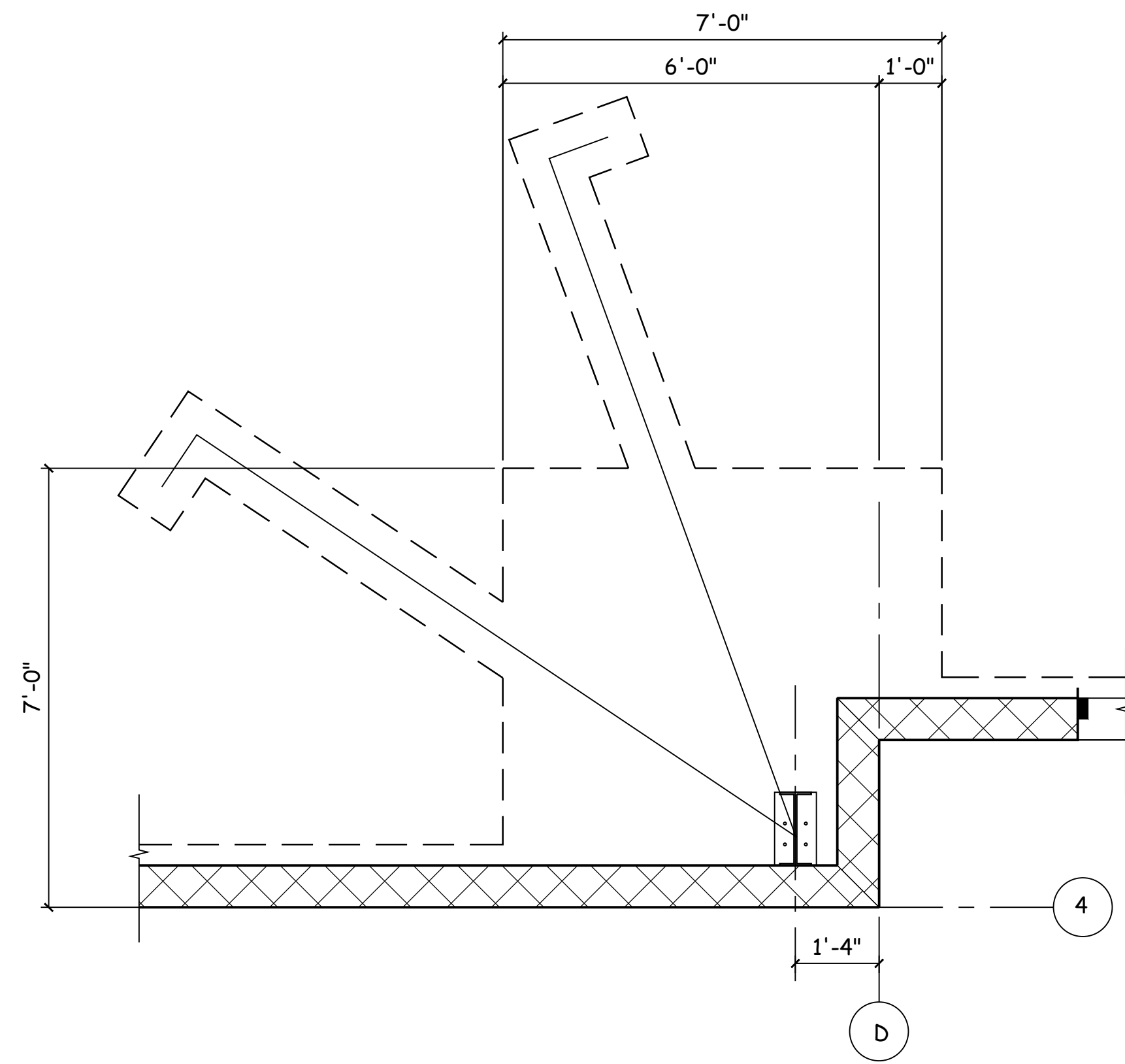


**FOUNDATION DETAIL**

SCALE: 1/2" = 1'-0"

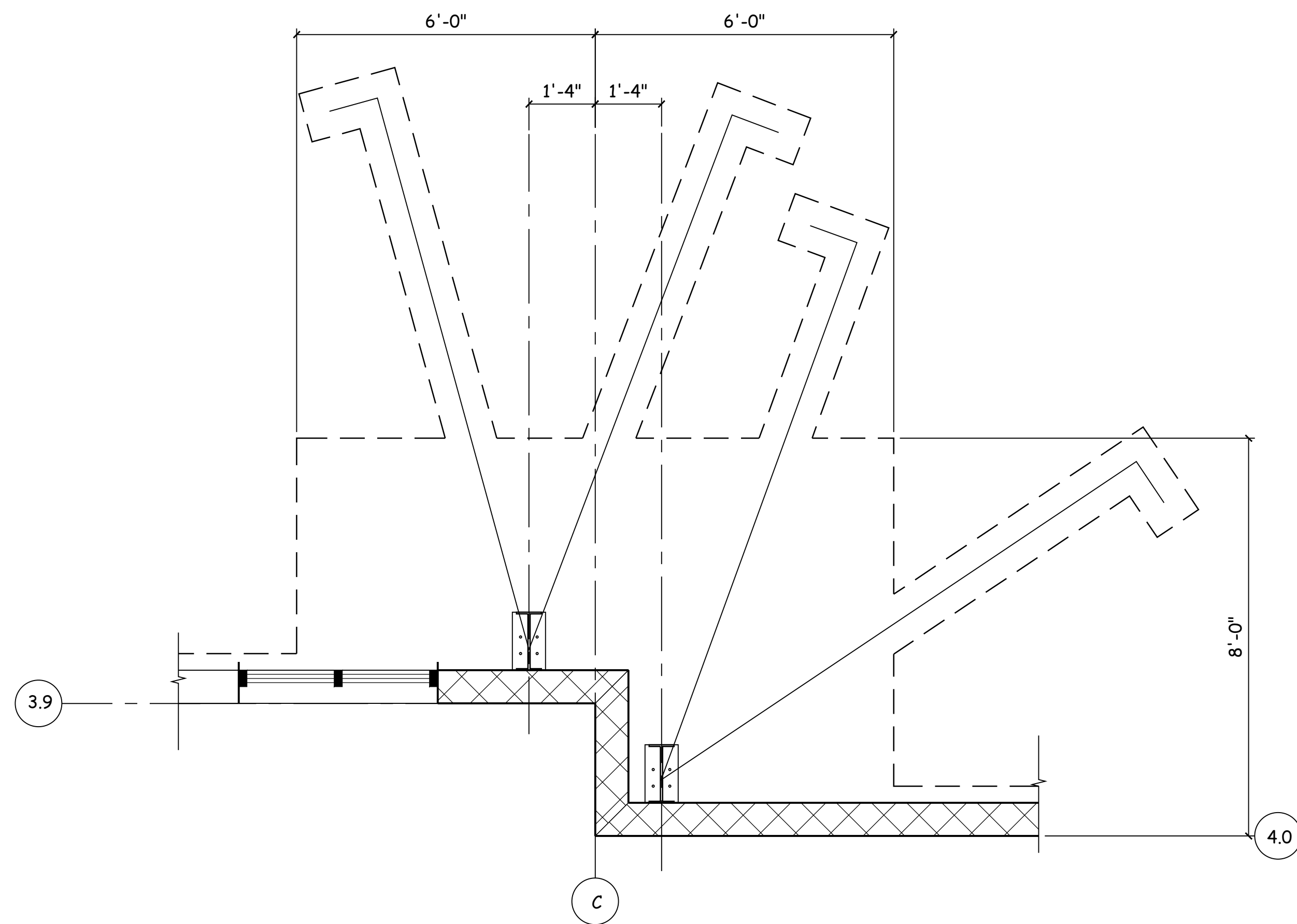
1



**FOUNDATION DETAIL**

SCALE: 1/2" = 1'-0"

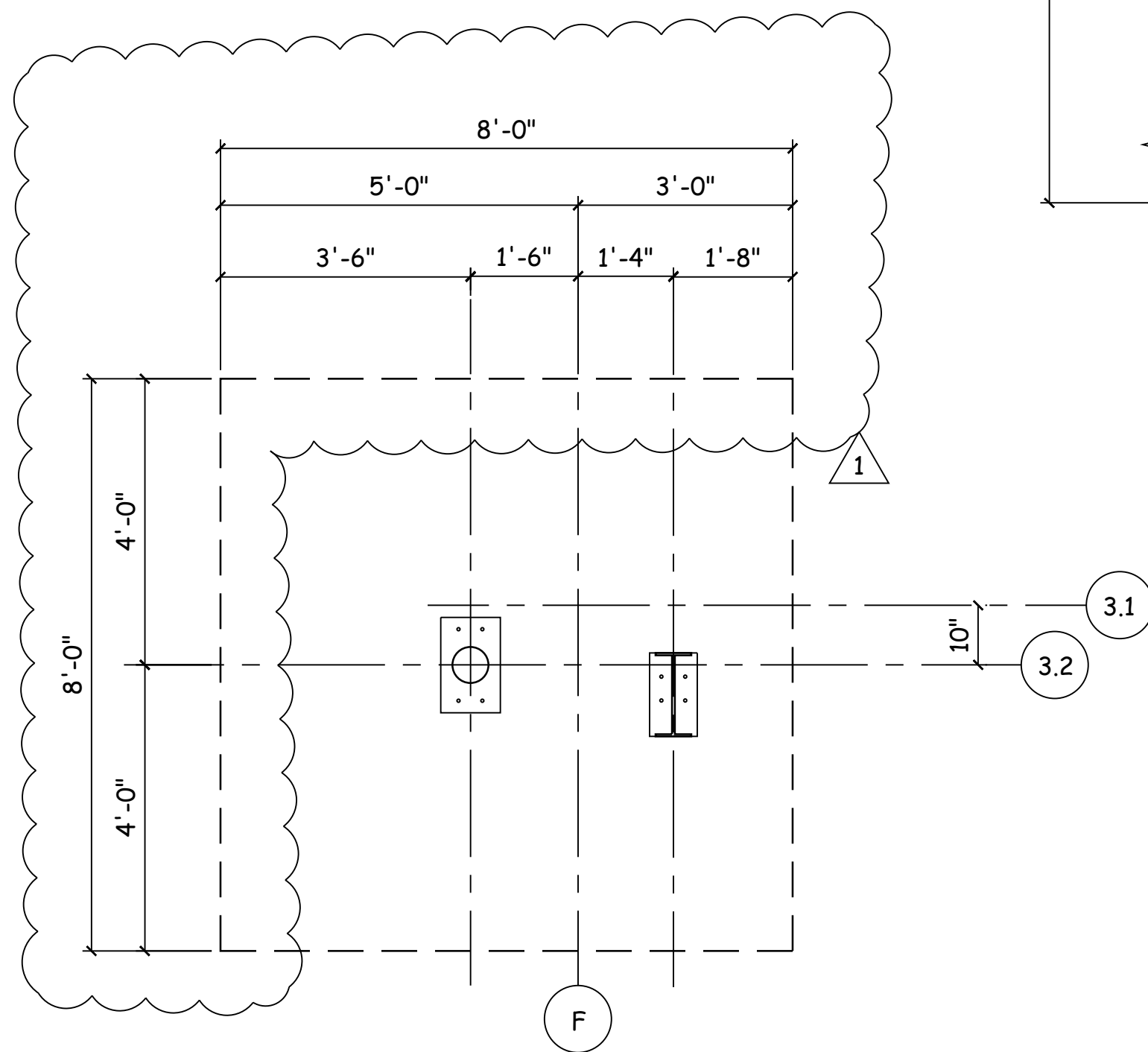
2



**FOUNDATION DETAIL**

SCALE: 1/2" = 1'-0"

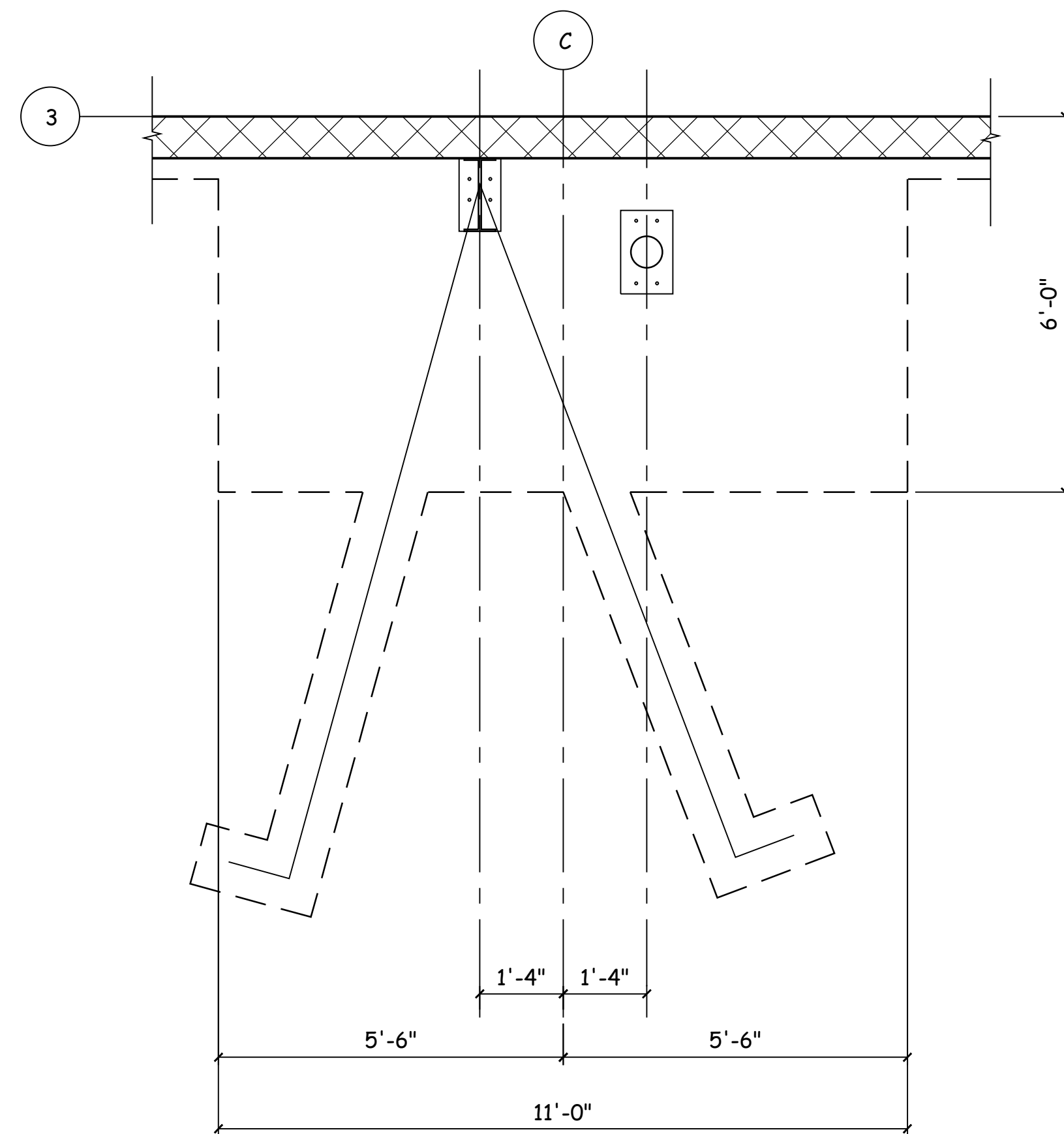
3



**FOUNDATION DETAIL**

SCALE: 1/2" = 1'-0"

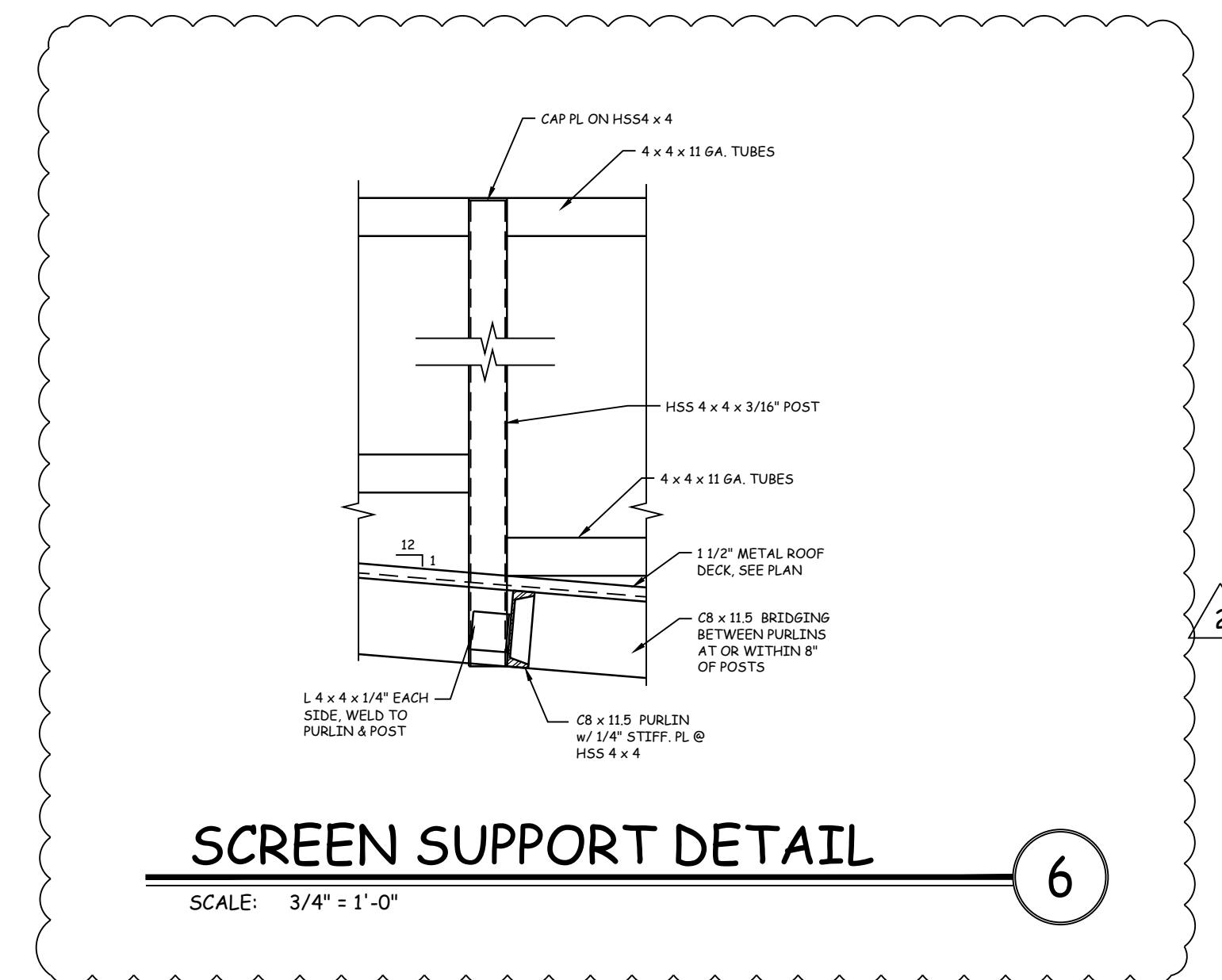
4



**FOUNDATION DETAIL**

SCALE: 1/2" = 1'-0"

5



**SCREEN SUPPORT DETAIL**

SCALE: 3/4" = 1'-0"

6