

*This does not grant permission to violate any applicable law, code or ordinance.

BP19-00003561

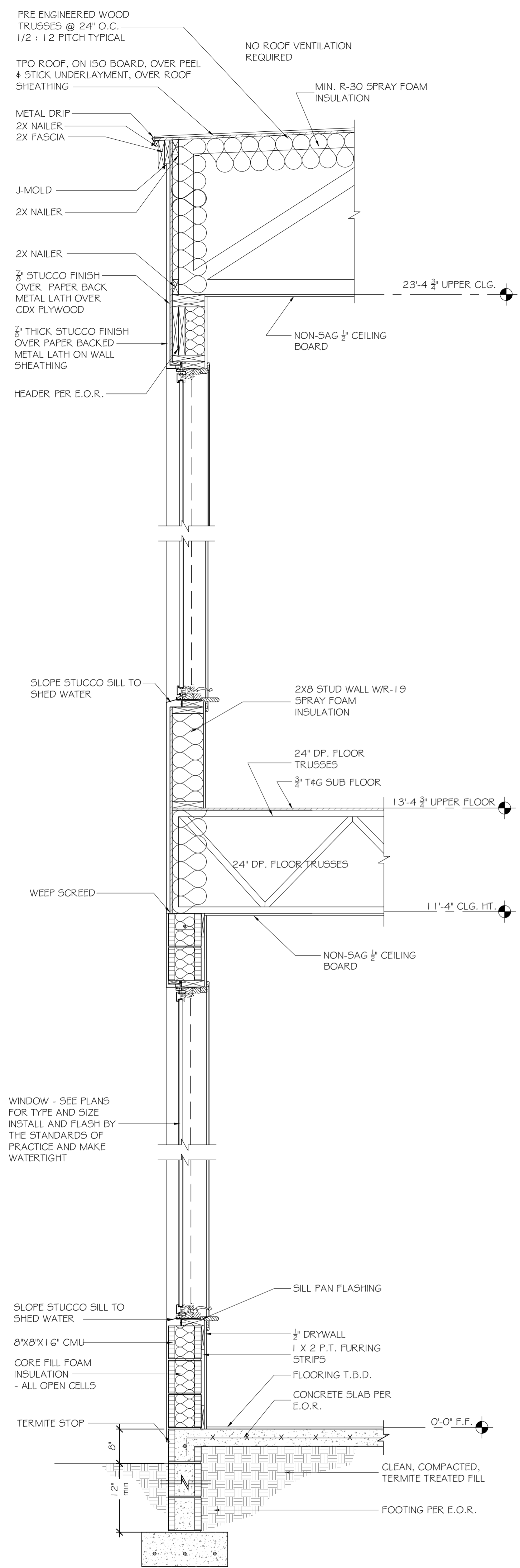
Stamped By: Roxanne
 [Signature]

07/17/19 04:43 PM

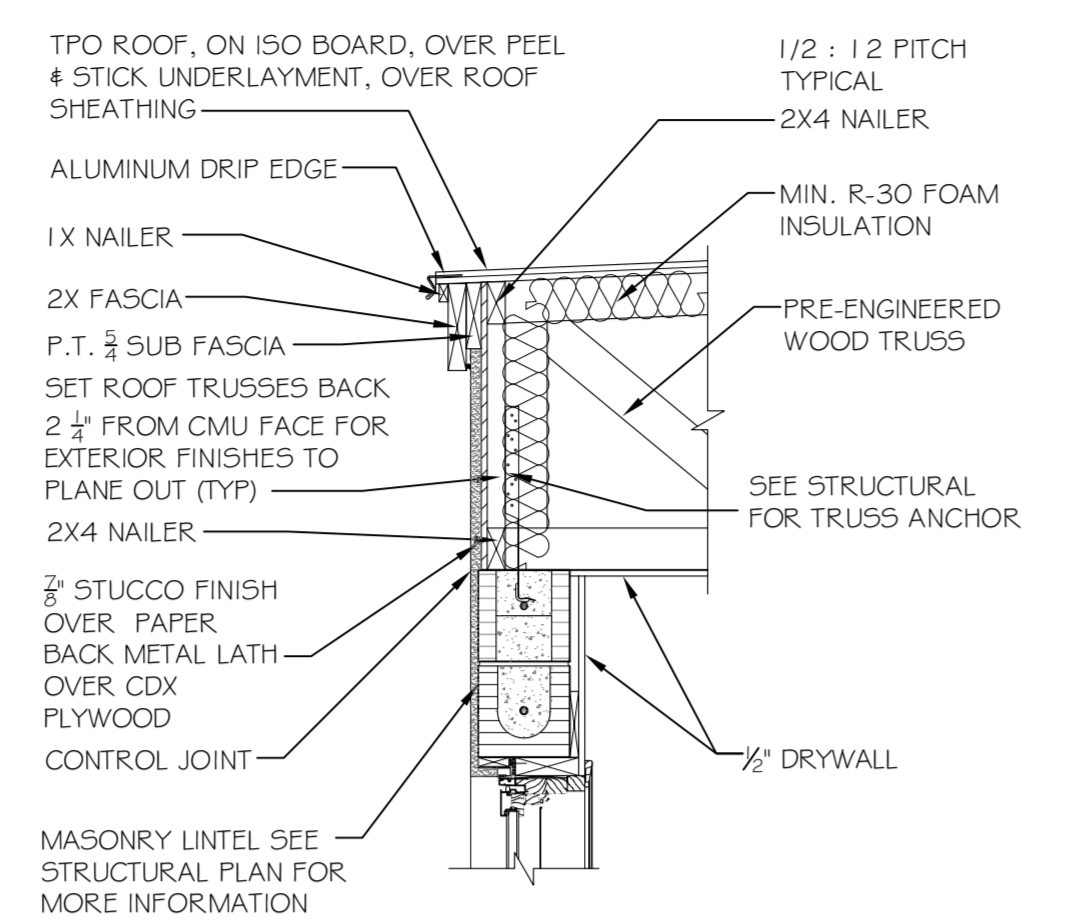
| REVISIONS | BY |
|-----------|-----------|
| 1 | Structure |
| 2 | E-R-D |
| 3 | EL |
| 4 | EL |

JAMES C. LUCIA
 RESIDENTIAL DESIGN
 james@jucelucidesign.com

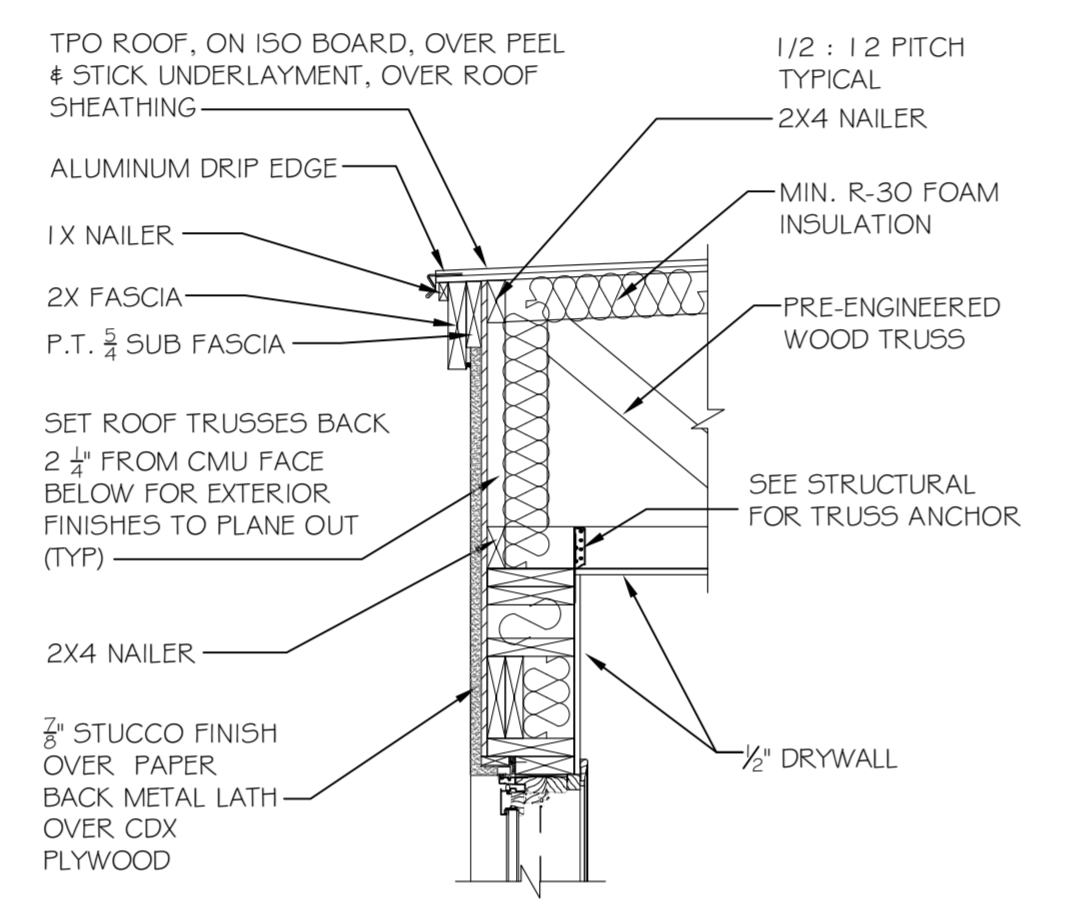
Lucia



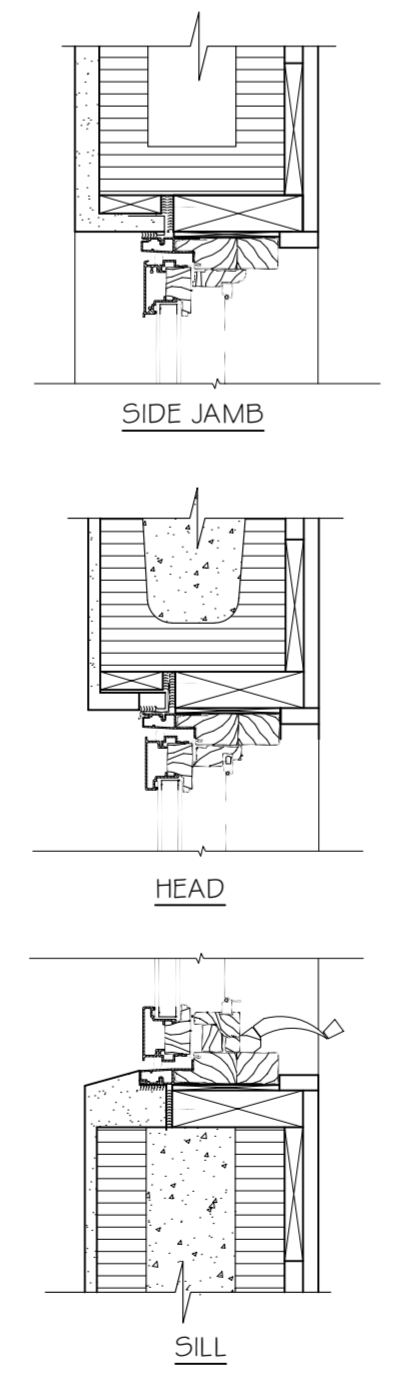
TWO-STORY WALL SECTION
 SCALE 3/4" = 1'-0"



NO OVERHANG DETAIL - CMU
 SCALE: 3/4" = 1'-0"



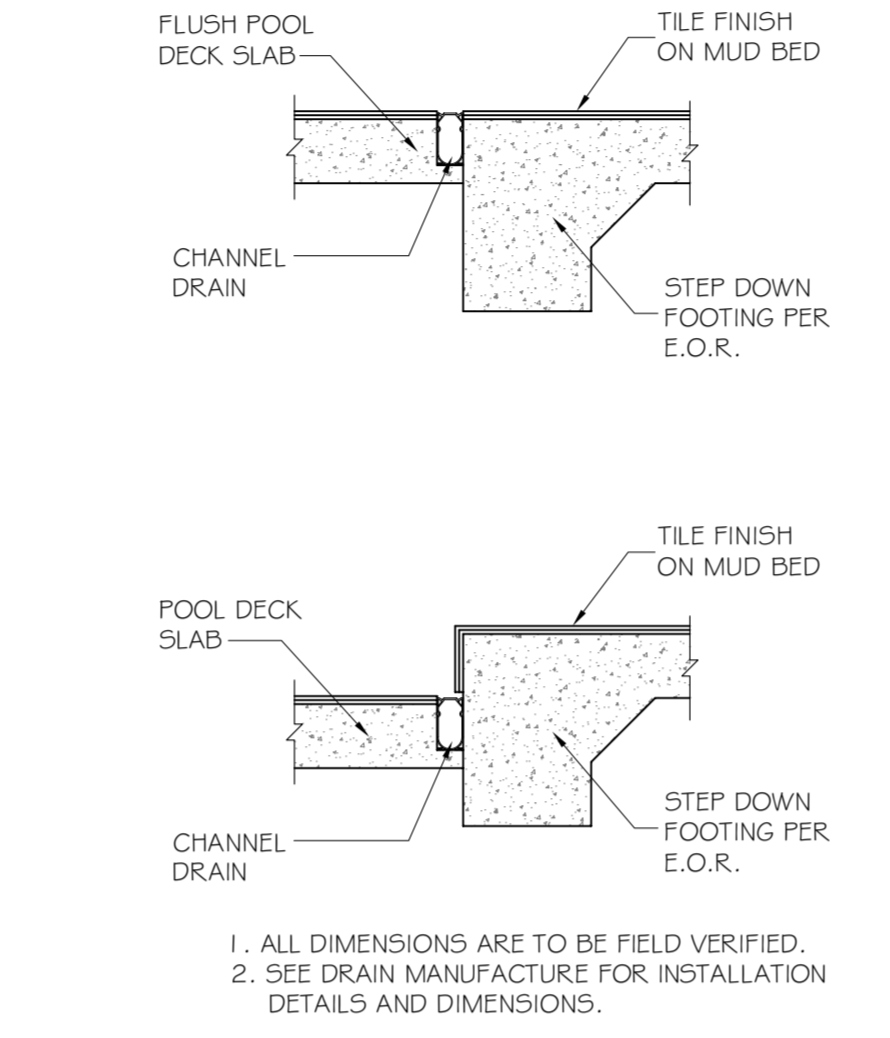
NO OVERHANG DETAIL - FRAME
 SCALE: 3/4" = 1'-0"



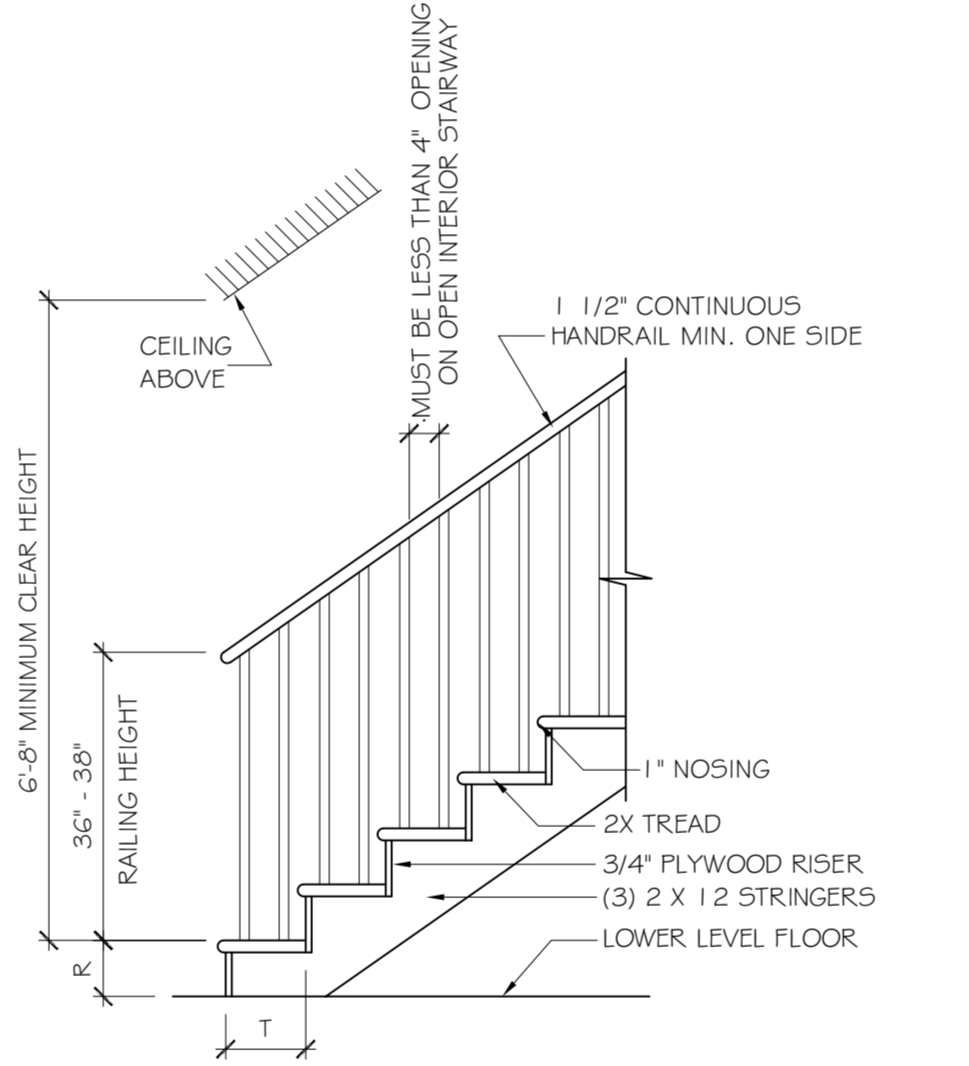
PREPARATION OF WINDOW OPENING :
 -INSTALL PRESSURE TREATED WOOD BUCK TO PERIMETER OF OPENING USING TAPCON 3/16" X 3-1/2" OR EQUAL PROVIDING 500 LBDD SHEAR STRENGTH WITHIN 6" FROM CORNERS & 16" ON CENTER.
 -APPLY A CONTINUOUS BEAD OF CAULKING TO SEAL WOOD BUCK TO MASONRY OPENINGS.
 -ENSURE THAT A CLEARANCE OF 1/4" PER SIDE IS LEFT FOR SHIMMING.
 -FILL CELLS WITH CONCRETE AND REBAR AS REQUIRED BY LOCAL CODE AND FOUR SILL BLOCK (SMOOTH) FOR ATTACHMENT OF SILL BUCK (BY OTHERS).

INSTALLATION OF WINDOW
 -REFER TO INSTALLATION INSTRUCTIONS FOR THE SPECIFIC PRODUCT BEING INSTALLED.
 -SET WINDOW IN OPENING, SHIMMING, LEVELING AND SQUARE TO ENSURE PROPER OPERATION.
 -INSTALL A 1/4" WATER HEAD OR S.M.S. 1 1/4" OR WOOD SCREW THROUGH ALL PREDRILLED HOLES IN THE INSTALLATION FIN TO SCORE USE.
 -ENSURE THAT THE INSTALLATION FIN IS SEALED TO THE WOOD 2 X BUCK WITH A CONTINUOUS BEAD OF CAULKING.
 -FILL VOID BETWEEN WINDOW AND BUCK WITH INSULATION BEING CAREFUL NOT TO BOW THE FRAME (BY OTHERS).
 -WATER PROTECT THIS AND MASONRY WITH NP1 OR EQUAL COVERING FROM ALUMINUM CLAD TO MASONRY.
 -WATERPROTECT MASONRY SILL AND UP SIDES 6" WITH SELF LEVELING URETHANE.
 -LEAVE 1/4" GAP BETWEEN EXTERIOR OF WINDOW AND FINISH MATERIALS FOR CALK. JOINT TO ALLOW FOR MATERIALS EXPANSION.

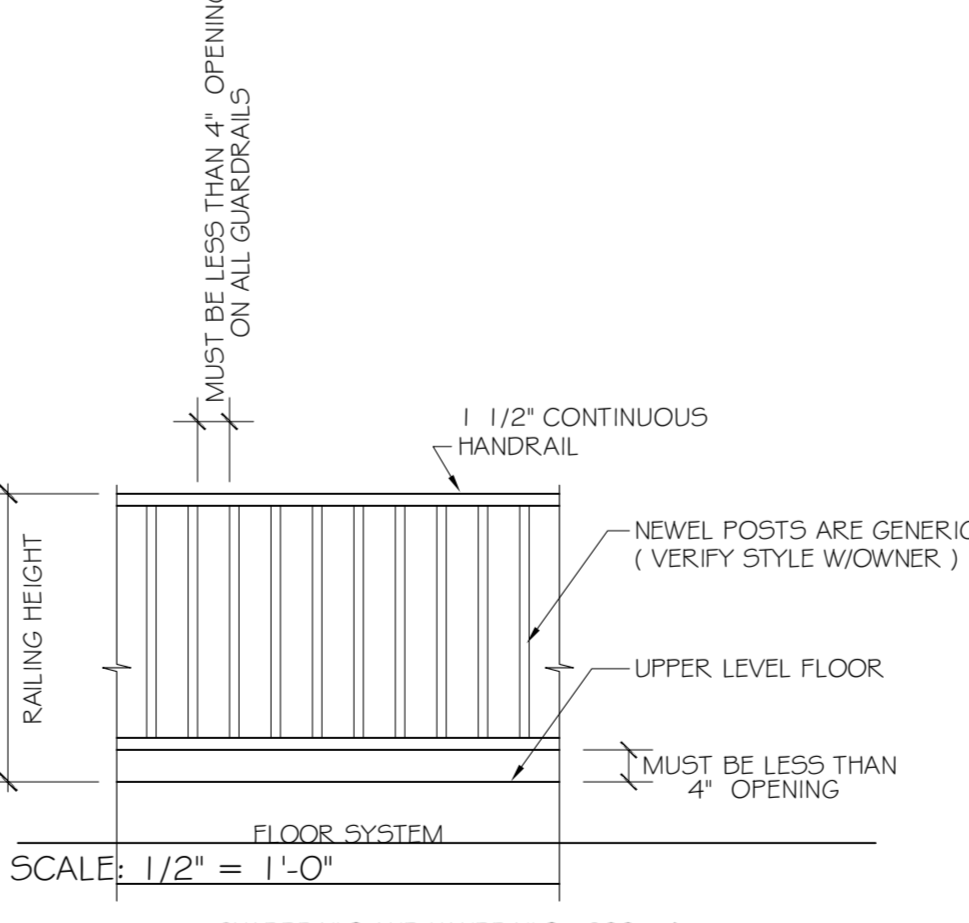
INTERIOR CORNER DETAIL
 N.T.S.



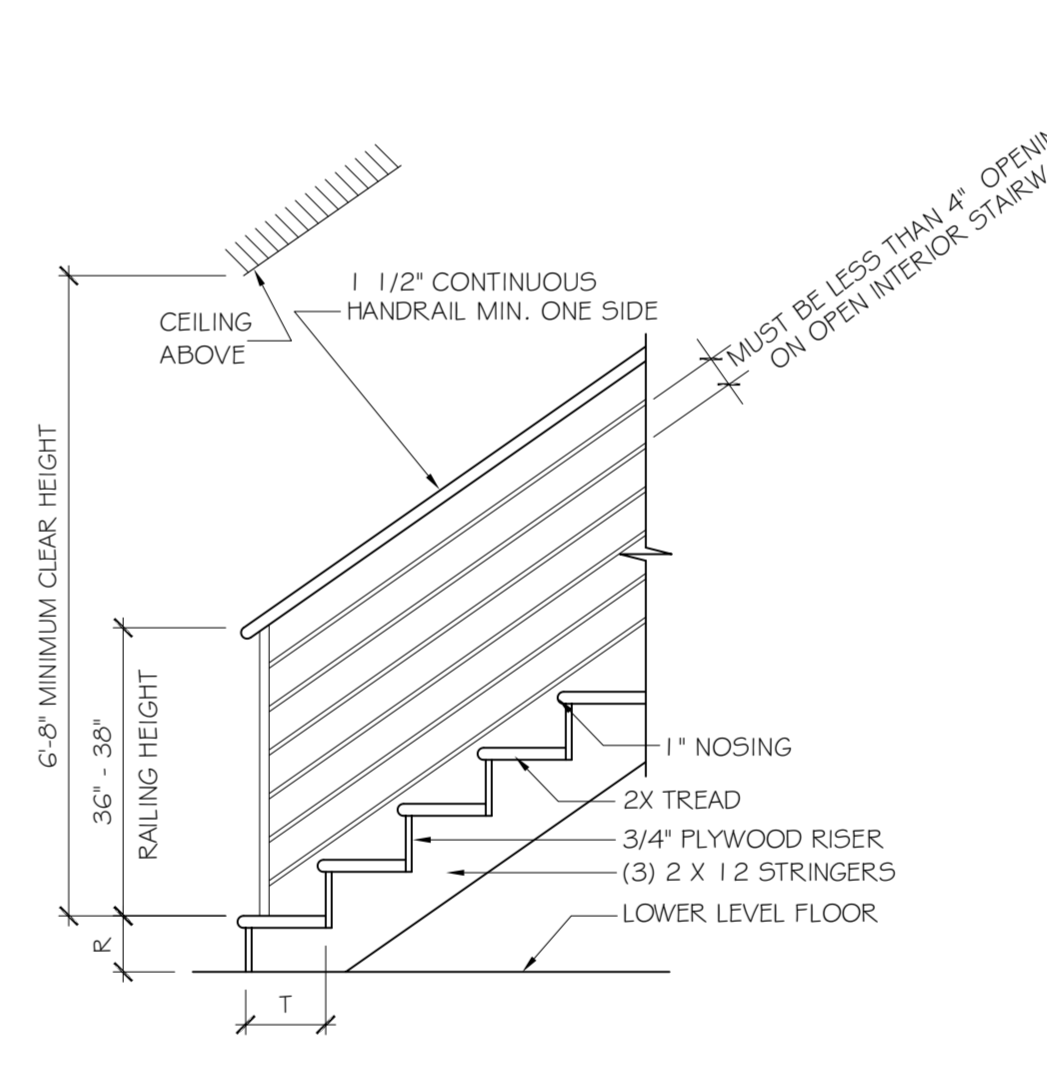
CHANNEL DRAIN DETAILS
 SCALE: 1" = 1'-0"



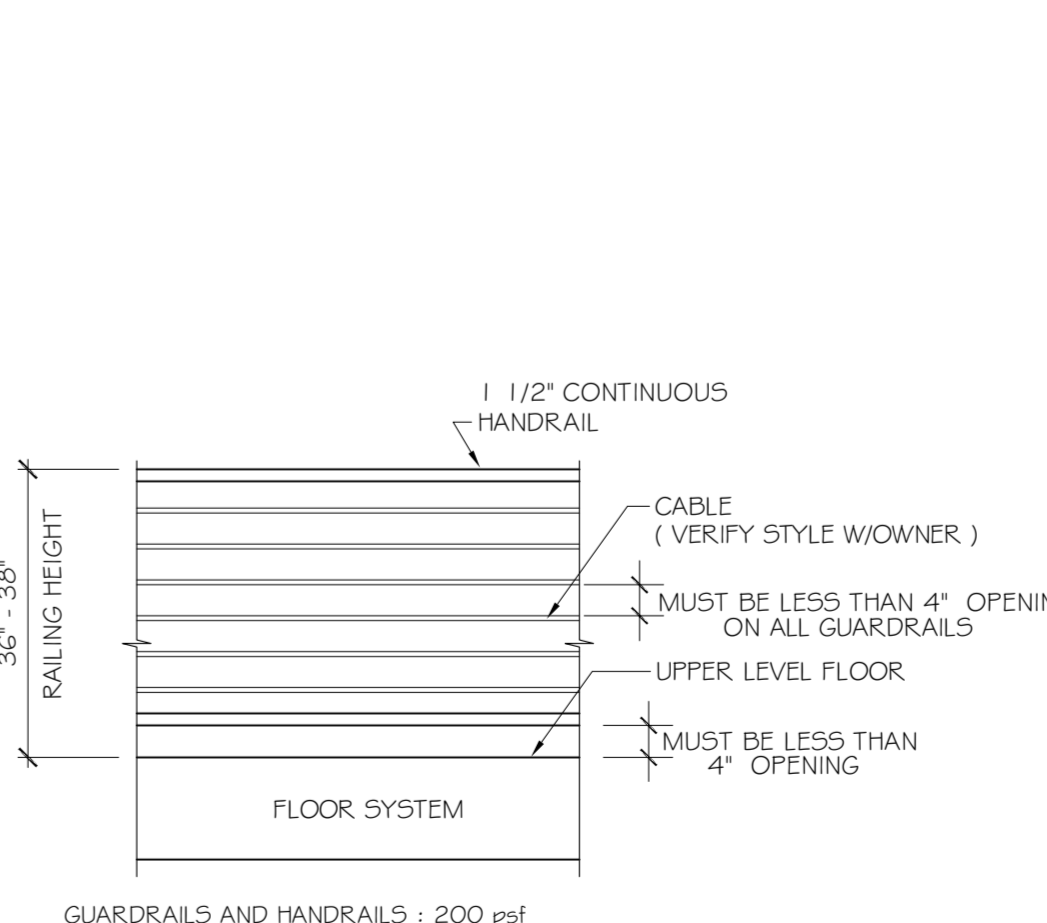
STAIR / RAILING DETAIL
 SCALE: 1/2" = 1'-0"



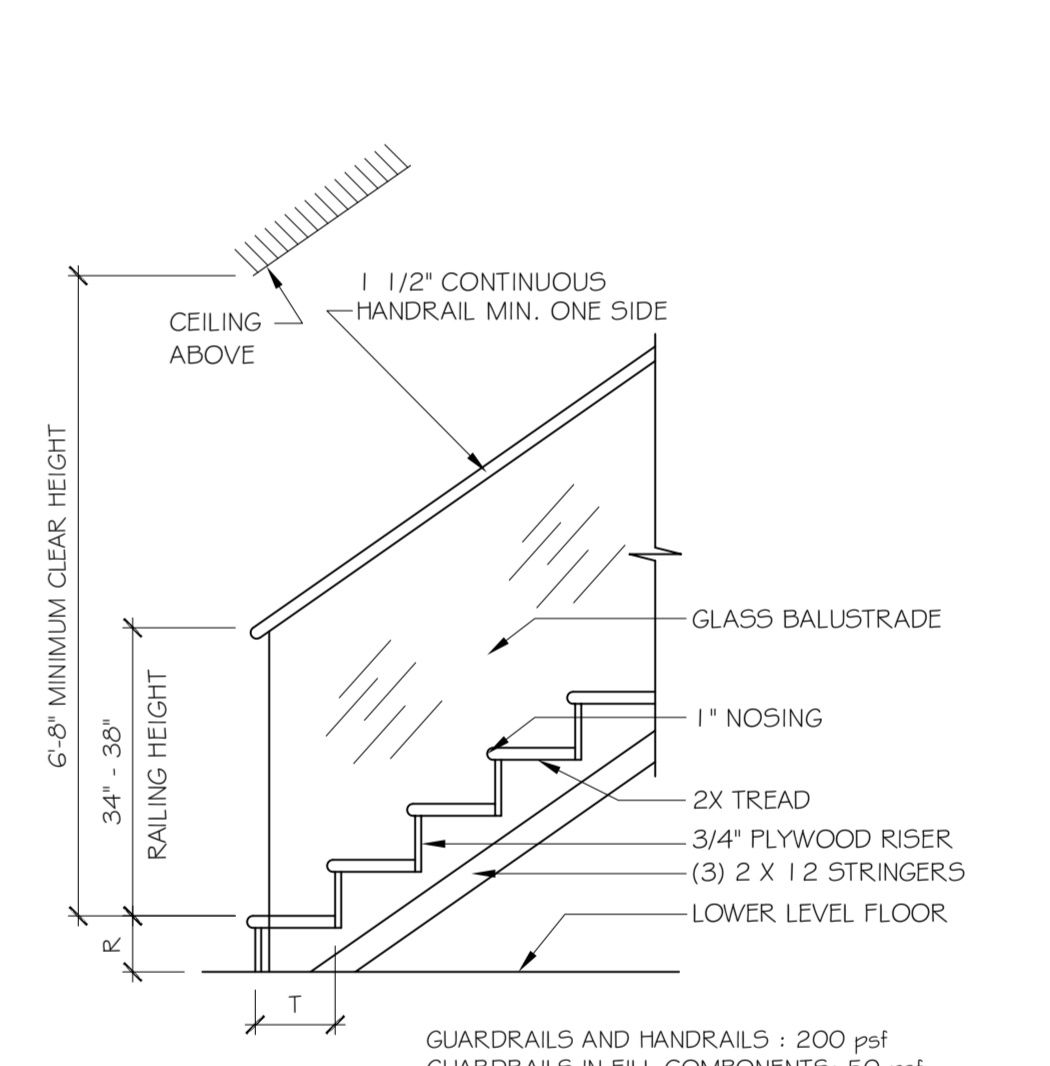
GUARDRAIL DETAIL
 SCALE: 1/2" = 1'-0"



STAIR / RAILING DETAIL
 SCALE: 1/2" = 1'-0"



GUARDRAIL DETAIL
 SCALE: 1/2" = 1'-0"



STAIR / RAILING DETAIL
 SCALE: 1/2" = 1'-0"



GUARDRAIL DETAIL
 SCALE: 1/2" = 1'-0"

CUSTOM DESIGN FOR THE :
DESAI RESIDENCE
 380 RIVERSIDE DRIVE
 ORMOND BEACH, FL 32176

DATE : 03-26-2019
 SCALE : NOTED
 DRAWN : EML
 JOB :
 SHEET : 14
 OF : SHEETS