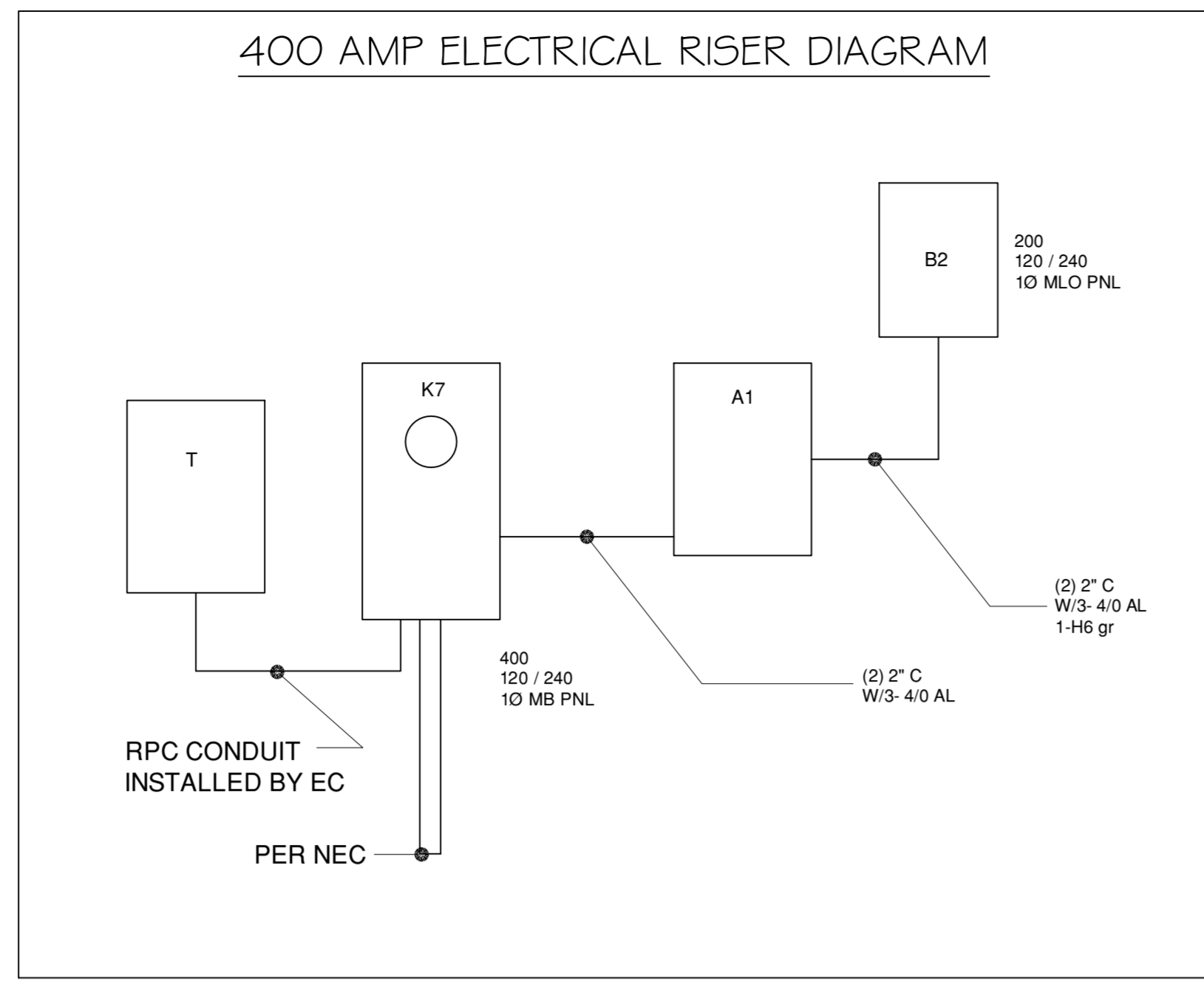


400 AMP ELECTRICAL RISER DIAGRAM



City of Ormond Beach  
 REVIEWED FOR  
 CODE COMPLIANCE  
 \*This does not grant permission to violate any applicable law, code or ordinance.  
 BP19-00003561  
 Stamped By: Roxanne Deknatel  
 07/17/19 04:40 PM

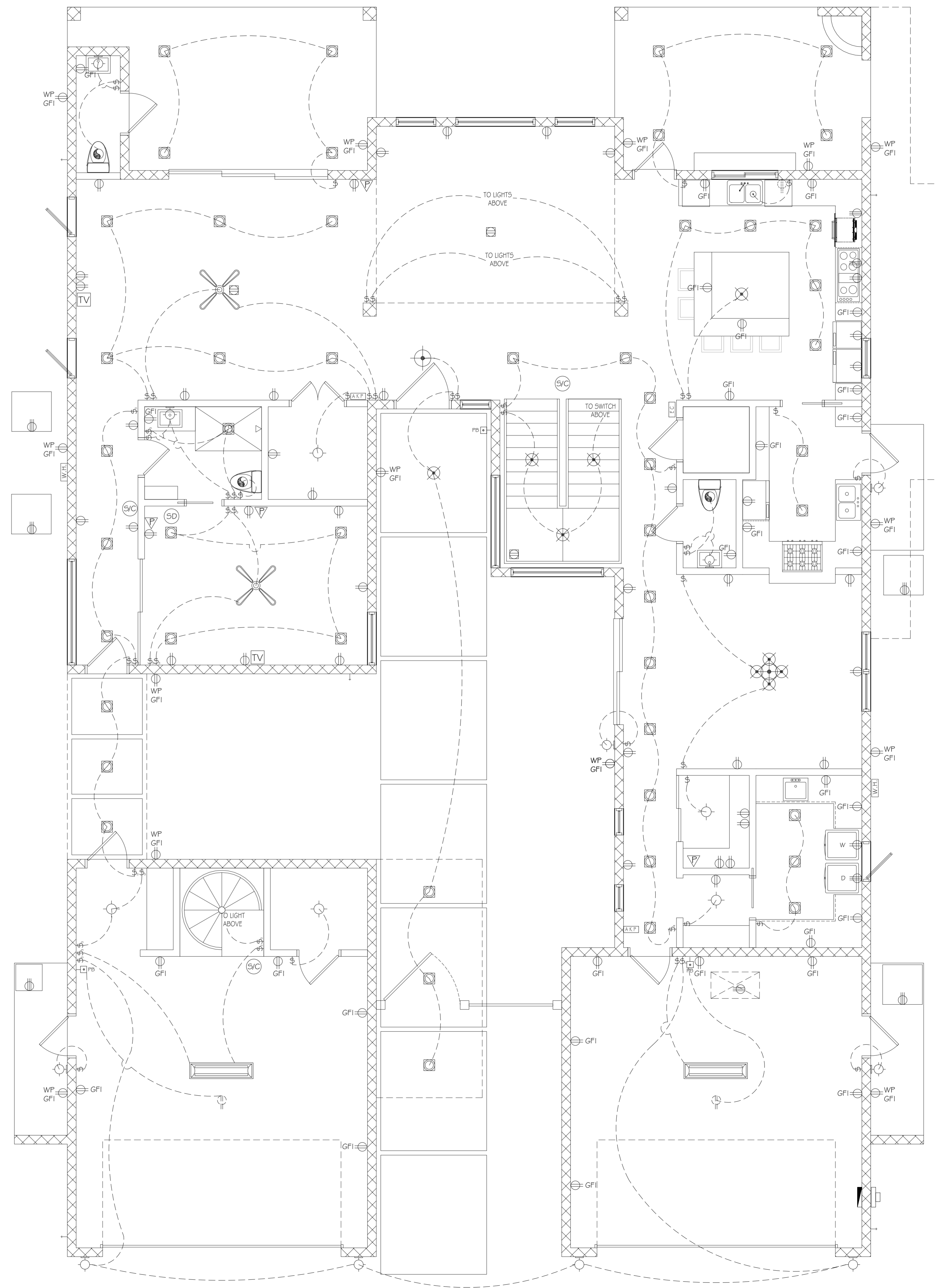
ELECTRICAL NOTES

- UNLESS OTHERWISE SPECIFICALLY STATED HEREIN, THE ELECTRICAL PLAN(S) ARE ONLY FOR GENERAL DESIGN INTENT AND HAVE BEEN COMPILED TO MEET PERMIT REQUIREMENTS OF THE AUTHORITIES HAVING JURISDICTION. ACTUAL QUANTITY, TYPE, AND PLACEMENT OF OUTLETS, SWITCHES, FIXTURES, AND ALL OTHER RELATED ELECTRICAL EQUIPMENT SHALL BE DETERMINED BY THE CONTRACTOR AND OWNER. INSTALLATION SHALL BE IN ACCORDANCE WITH ALL APPLICABLE CODES.
- CONTRACTOR SHALL VERIFY WITH POWER COMPANY THE LOCATION OF SERVICE AND SHALL LOCATE METER AND PANEL AS REQUIRED.
- ALL WIRES SHALL BE THW COPPER, UNLESS NOTED OTHERWISE.
- WHERE REQUIRED BY OTHER CODES, SERVICE AND FEEDER CONDUCTORS SHALL BE COPPER OF EQUAL AMPACITY.
- ALL BRANCH CIRCUITS IN RACEWAY OR NON-METALLIC SHEATHED CABLE.
- COORDINATE RACEWAY INSTALLATIONS WITH OTHER TRADES PRIOR TO CONSTRUCTION.
- VERIFY ALL CONDUCTORS AND BREAKERS WITH EQUIPMENT MANUFACTURERS SPECIFICATIONS.
- PROVIDE DISCONNECT SWITCH SIZE AS REQUIRED BY LOAD AND UNITS.
- PROVIDE NON-FUSIBLE GENERAL DUTY SAFETY SWITCHES AT A/C EQUIPMENT, AND AT PUMPS NOT VISIBLE FROM CIRCUIT BREAKER PANEL AND AS PER MANUFACTURER'S RECOMMENDATIONS.
- PROVIDE GROUND FAULT INTERRUPT (GFI) BREAKERS FOR ALL BATHROOM, GARAGE AND EXTERIOR OUTLETS AS SHOWN.
- ELECTRICAL FIXTURES, TRIM AND APPLIANCES SHALL BE 'UL' APPROVED AND SELECTED BY OWNER.
- PROVIDE PRE-WIRED TELEPHONE AND TELEVISION (CABLE TV) OUTLETS.
- WIRE KITCHEN AND FAMILY ROOM SEPARATELY.
- ELECTRICAL SERVICE SIZE SHALL BE DESIGNED BY THE ELECTRICAL CONTRACTOR. THIS PLAN SHALL BE USED AS A GUIDE. POWER REQUIREMENTS SHALL BE DETERMINED BY TOTAL LOAD OF THE HOUSE.
- PROVIDE AFCIs (ARC FAULT INTERRUPTERS) IN ALL DWELLING UNIT BEDROOMS PER NEC.

ELECTRICAL LEGEND

SYMBOL	DESCRIPTION
⊞	SWITCH
⊞	THREE WAY SWITCH
⊞	FOUR WAY SWITCH
⊞	DIMMER SWITCH
⊞	110v. OUTLET
⊞ GFI	110v. OUTLET, GFCI
⊞ WP GFI	110v. OUTLET, WEATHER PROOF GFCI
⊞	110v. OUTLET, CEILING
⊞	110v. OUTLET, BELOW
⊞	110v. OUTLET, SWITCHED
⊞	220v. OUTLET
⊞	FLOOR OUTLET
⊞	SURFACE MOUNTED INCANDESCENT LIGHT
⊞	WALL SCONCE
⊞	LARGE PENDANT FIXTURE
⊞	PENDANT FIXTURE
⊞	INGROUND UPLIGHT
⊞	LIGHT/FAN COMBO UNIT
⊞	BATH FAN
⊞	RECESSED LED LIGHT
⊞	DIRECTIONAL RECESSED LED LIGHT
⊞	RECESSED LED LIGHT - VAPOR PROOF
⊞	LED BACKLIGHTING
⊞	HEADER LIGHT FIXTURE
⊞	SQUARE PENDANT LIGHT FIXTURE
⊞	RECESSED RISER LIGHT
⊞	RECESSED WALL MOUNTED OUTDOOR LIGHT
⊞	2' X 4' LED LIGHT
⊞	SMOKE DETECTOR
⊞	COMBO SMOKE/CARBON MONOXIDE DETECTOR
⊞	TV OUTLET
⊞	PHONE JACK
⊞	ELECTRICAL PANEL
⊞	ELECTRICAL METER
⊞	PUSH BUTTON
⊞	INTERCOM
⊞	GARBAGE DISPOSAL
⊞	CHIMES
⊞	ELEVATOR CALL BUTTON
⊞	ALARM KEY PAD
⊞	JUNCTION BOX
⊞	LAMP HOLDER - PULL CHAIN
⊞	FLOOD LIGHTS
⊞	CEILING FAN

ELECTRICAL PLAN IS INTENDED FOR BID PURPOSES ONLY. ALL WORK SHALL BE DONE IN STRICT ACCORDANCE WITH THE NATIONAL ELECTRIC CODE, LATEST EDITION, BY A LICENSED ELECTRICAL CONTRACTOR WHO SHALL BE RESPONSIBLE FOR THE INSTALLATION & SIZING OF ALL ELECTRICAL, WIRING & ACCESSORIES.



MAIN LEVEL ELECTRICAL PLAN

SCALE: 1/4" = 1'-0" SEE INTERIOR DESIGNER'S DRAWINGS FOR FINAL LIGHTING LAYOUT.

REVISIONS	BY
1	Structure
2	E R D
3	bank rev

City of Ormond Beach  
 REVIEWED FOR  
 CODE COMPLIANCE  
 \*This does not grant permission to violate any applicable law, code or ordinance.  
 BP19-00003561  
 Stamped By: Roxanne Deknatel  
 07/17/19 04:40 PM

**BD**  
 N.C.C. & P.E.

**JAMES C. LUCIA**  
 RESIDENTIAL DESIGN  
 lucia@luciadesigns.com

*Lucia*

CUSTOM DESIGN FOR THE:  
**DESAI RESIDENCE**  
 380 RIVERSIDE DRIVE  
 ORMOND BEACH, FL 32176

DATE: 03-26-2019  
 SCALE: NOTED  
 DRAWN: EML  
 JOB:  
 SHEET  
**15**  
 OF SHEETS