

WALL TYPE	
SYMBOL	DESIGN DESCRIPTION
	2x INTERIOR BEARING SHEAR WALL - SEE BEARING WALL SCHEDULE ON SHEET SN FOR REQUIREMENTS.
	MASONRY WALL TOP @ 11'-4"

WALL TYPE	
SYMBOL	DESIGN DESCRIPTION
	INDICATES FILLED CELL w/3000 PSI CONCRETE CONSTRUCTED PER DETAIL MS01/SN AND SPACED PER PLAN
	INDICATES FILLED CELL BELOW WINDOW w/3000 PSI CONCRETE CONSTRUCTED PER DETAIL MS01/SN AND SPACED PER PLAN
	INDICATES BEARING WALL SEE BEARING WALL SCHEDULE ON SN
	INDICATES BUILT UP COLUMN, SEE FRAMING PLAN FOR SIZE, DETAIL WF57/SN FOR PLY ATTACHMENT AND UPLIFT CONNECTION SCHEDULE ON SN FOR CONNECTION TO SLAB
	INDICATES NO BOTTOM CONNECTOR REQUIRED
	INDICATES AN OPENING HEADER CONSTRUCTED PER HEADER SCHEDULE ON SHEET SN
	INDICATES STRUCTURAL BEAM SEE DESIGN AND ATTACHMENT SPECIFICATIONS PER BEAM SCHEDULE ON SHEET SN
	INDICATES UPLIFT CONNECTOR, SEE UPLIFT CONNECTOR SCHEDULE ON SHEET SN
	INDICATES WINDOW PRESSURE - SEE S0 FOR MORE INFORMATION.
	INDICATES LINTEL PER LINTEL PLAN L1

### MAIN FLOOR LEGEND

- FRAMING NOTES:
- SEE WIND SPEED CHART ON SN FOR WINDOW PRESSURES
  - TYPICAL CORNER FRAMING PER DETAIL FB06/D3

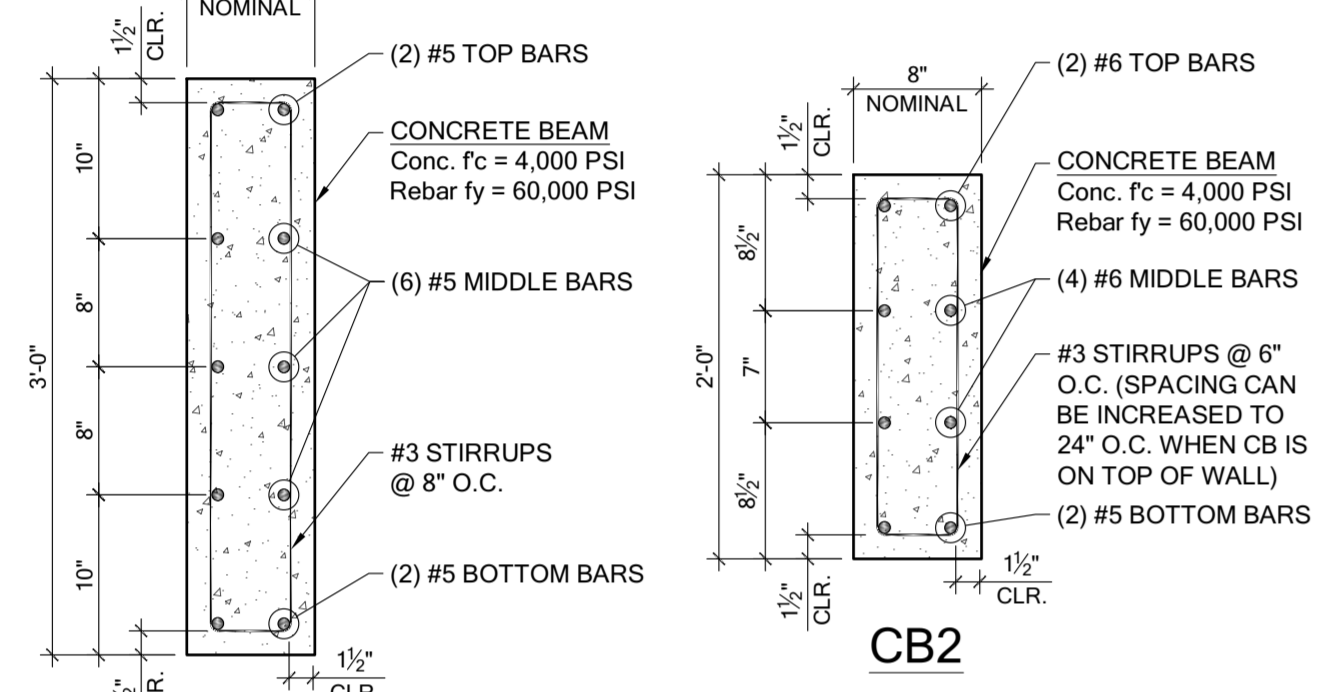
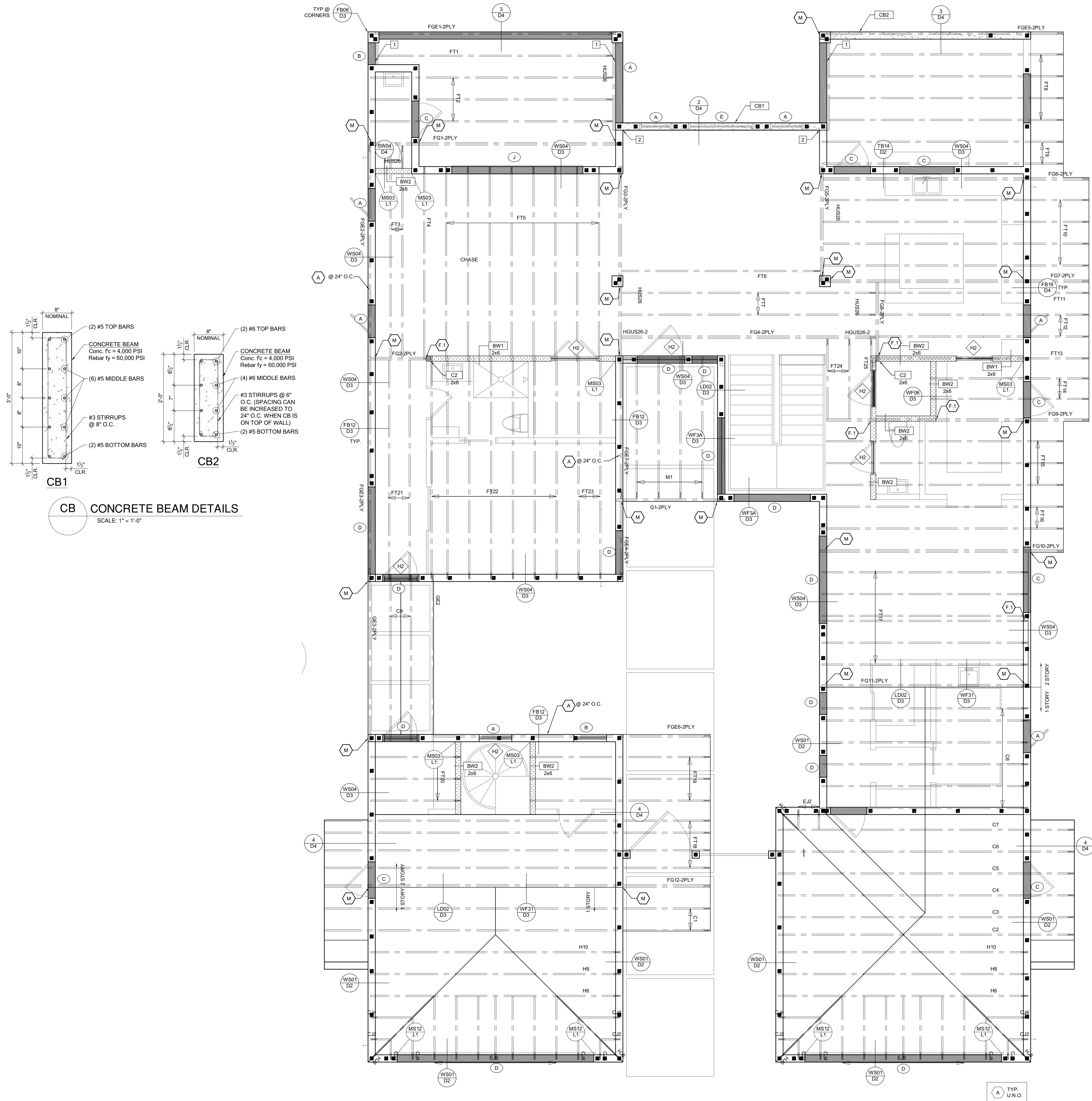
- GENERAL NOTES:
- THE FRAMING PLAN SHOWN INDICATES THE "TRUSS SYSTEM" AND IS THE RESPONSIBILITY OF THE TRUSS SYSTEM ENGINEER (DESIGN PROFESSIONAL OF RECORD). THE TRUSS DESIGN ENGINEER (DELEGATED ENGINEER) HAS FINAL RESPONSIBILITY FOR EACH INDIVIDUAL TRUSS AND TRUSS PROFILE, AND IS TO SUBMIT A FINAL SET OF TRUSS ENGINEERING SIGNED AND SEALED TRUSS DRAWINGS TO DESIGN PROFESSIONAL OF RECORD FOR REVIEW PRIOR TO FABRICATION
  - ANY DISCREPANCY OR ERROR IN DIMENSIONS OR NOTES WITHIN THIS PLAN SHALL BE BROUGHT TO THE ATTENTION OF THE DESIGN PROFESSIONAL FOR CLARIFICATION PRIOR TO CONSTRUCTION
  - SEE SHEET SN FOR DESIGN SCHEDULES AND NOTES: FOUNDATION SCHEDULE / COLUMN SCHEDULE / BEARING WALL SCHEDULE / BEAM SCHEDULE / HEADER SCHEDULE / CONNECTION SCHEDULE / FLOOR AND ROOF NOTES.

### PLAN KEY NOTES

- (2) 2x12 SYP #2 P.T. LEDGER ATTACHED TO LINTEL w/ (2) ROWS 5/8" J-BOLTS OR TITEN HD @ 24" O.C. STAGGERING ROWS @ 12" O.C. & (2) 6" FROM END BOLTS TO HAVE 6" EMBEDMENT.
- 16" BEARING FOR CONC. BEAM.

BUILDER NOTE:  
IF THE TRUSS LAYOUT SHOWN DOES NOT MATCH THE TRUSS MANUFACTURERS LAYOUT

**---STOP---**  
AND CALL THE ENGINEER OF RECORD PRIOR TO PLACEMENT OF ANY TRUSSES.



**CB CONCRETE BEAM DETAILS**  
SCALE: 1" = 1'-0"

## LOW ROOF & FLOOR FRAMING PLAN

SCALE: 1/4" = 1'-0"

City of Ormond Beach  
**REVIEWED FOR CODE COMPLIANCE\***  
BP 19-000035-1  
Stamp: [Professional Engineer Seal]  
Stamp: [Professional Engineer Seal]  
Stamp: [Professional Engineer Seal]

James C. Lucia  
RESIDENTIAL DESIGN  
website: luciaengineers.com  
e-mail: lucia@luciaengineers.com

DATE: March 26, 2019

**FDS ENGINEERING ASSOCIATES**  
249 Mainland Ave., Suite 3000, Altamonte Springs, FL 32714  
O: 407.571.1100  
F: 407.571.1101  
www.fds-engineering.com

STATE OF FLORIDA  
PROFESSIONAL ENGINEER  
No. 32126  
\* LICENSE

**DESAI RESIDENCE**  
3435 PINEHURST AVE.  
ORLANDO, FL 32804

PROJECT NAME: DESAI RESIDENCE  
PLAN REVISIONS:

DELTA	COMMENT	DATE

DATE: 12/05/18  
DRAWN BY: MN, NK  
CHECKED BY: BH  
APPROVED BY: MG

SHEET NUMBER  
**S2**